

PRODUCT DIMENSIONS

LYNX™ ANALOG SINGLE-CHANNEL STRAIN GAGE BUTTON SENSORS

T-414-12, T-412-12, & T-413-12



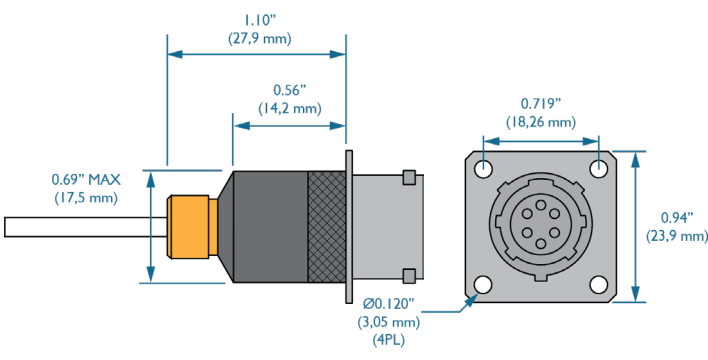
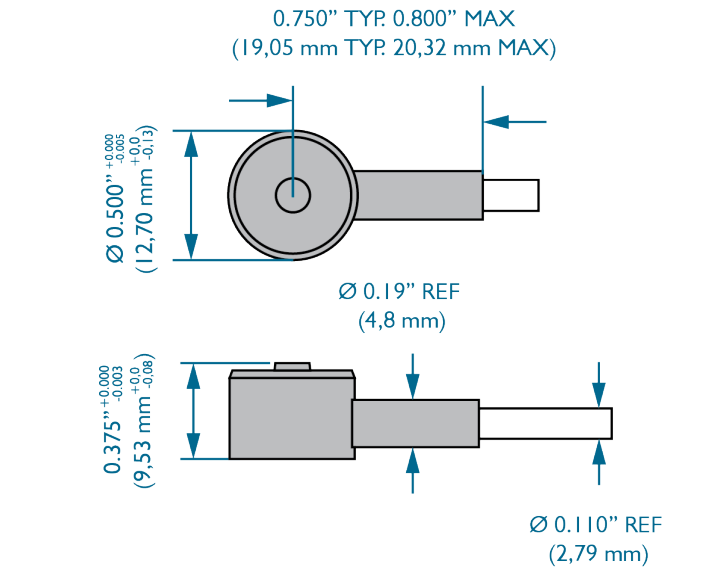
The Lynx™ analog single-channel strain gage sensors T-414-12, T-412-12, and T-413-12 are indirect (under pin), 0.50" (12,7 mm) button-style cavity pressure sensors, with a brazed stem at the body and a strain-relieved connector.

TECHNICAL SPECIFICATIONS

SENSOR	FORCE RANGE
T-414-12	125 lb. (0,56 kN)
T-412-12	500 lb. (2,22 kN)
T-413-12	2,000 lb. (8,90 kN)

MAXIMUM TEMPERATURE	STANDARD	HI-TEMP
Sensor Head	250 °F (121 °C)	425 °F (218 °C)
Connector	140 °F (60°C)	

SENSITIVITY	ACCURACY
2.0 mV/V	±1.25% of Full Scale

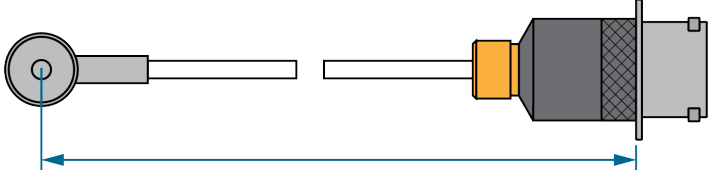


CABLE LENGTHS

Cables are available in the following lengths:

3–48" (1/8" increments)
 (77–1219 mm (3 mm increments))

Length must be longer than needed to facilitate safe installation and removal of connector from tool to prevent tension on the lead wire; generally, 2–3" (50–75 mm) of slack is sufficient. Use good sense to determine the appropriate cable length required for each application.



SENSOR CABLE ORDERING LENGTH

INSTALLATION

Refer to product manual and installation guide for all dimensions—available for download online at www.rjginc.com.

1 Sensor

2 Ejector Pin

3 Counterbore in Ejector Plate

4 Sensor Connector

