

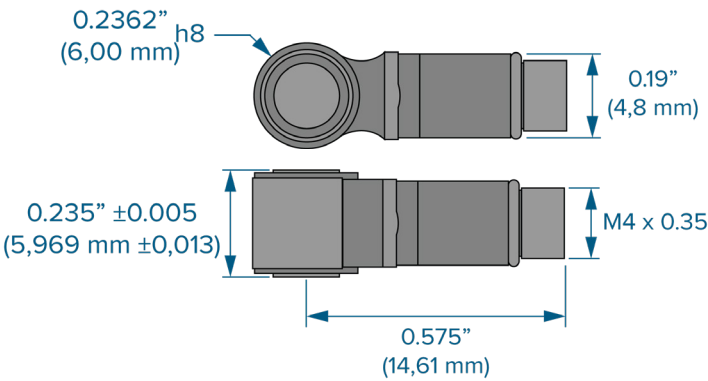
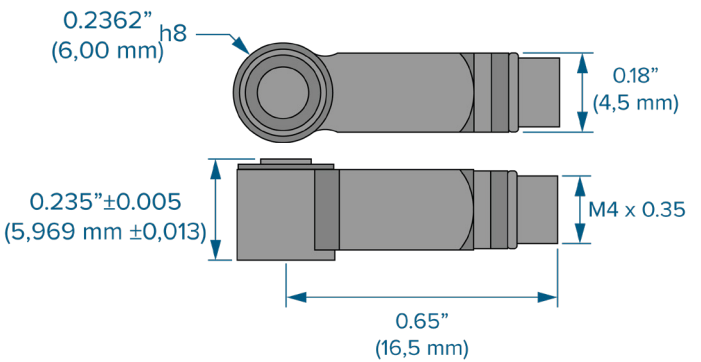
**PRODUCT DIMENSIONS**

**SINGLE- OR MULTI-CHANNEL  
6 MM PIEZOELECTRIC SENSOR**

**9211**



The 9211 is a single- or multi-channel, indirect (under-pin), 6 mm (0.24") button-style piezoelectric cavity pressure sensor designed for use with the RJG, Inc. eDART® or CoPilot process control and monitoring system.



**TECHNICAL SPECIFICATIONS**

**SENSOR**

Force Range	2.5 kN	562 lb.
Linearity	<1.0% Full Scale	
Nominal Sensitivity	4.5 pC/N	20 pC/lb.
Insulation Resistance @ 20 °C (68 °F)	> 10 <sup>12</sup> Ω	
Insulation Resistance @ 200 °C (392 °F)	> 10 <sup>11</sup> Ω	

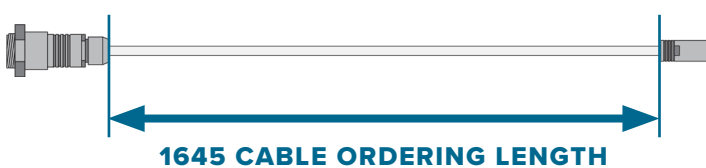
**TEMPERATURES**

Temperature Max. (Sensor)	200 °C	392 °F
Temperature Max. (Adapter)	60 °C	140 °F

**SENSOR CABLE ORDERING LENGTH**

Length must be longer than needed to facilitate safe installation and removal of connector from tool to prevent tension on the lead wire; generally, 2–3" (50–75 mm) of slack is sufficient. Use good sense to determine the appropriate cable length required for each application.

	SINGLE-CHANNEL	MULTI-CHANNEL	LENGTH	
			S.I.	ENGLISH
1645-0.2	C-PZ/1645-0.2		0,2 m	7.90"
1645-0.4	C-PZ/1645-0.4		0,4 m	15.75"
1645-0.6	C-PZ/1645-0.6		0,6 m	23.60"
1645-0.8	C-PZ/1645-0.8		0,8 m	31.50"
1645-1.2	C-PZ/1645-1.2		1,2 m	47.24"
1645-1.6	C-PZ/1645-1.6		1,6 m	62.99"
1645-2.0	C-PZ/1645-2.0		2,0 m	78.74"



## INSTALLATION

Refer to product manual and installation guide for all dimensions—available for download online at [www.rjginc.com](http://www.rjginc.com).

1 Ejector Pin

2 Sensor

3 Counterbore in Ejector Plate

4 Cavity

### EJECTOR PLATE INSTALLATION

