

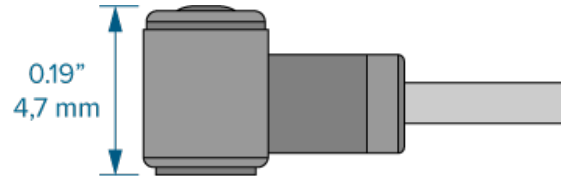
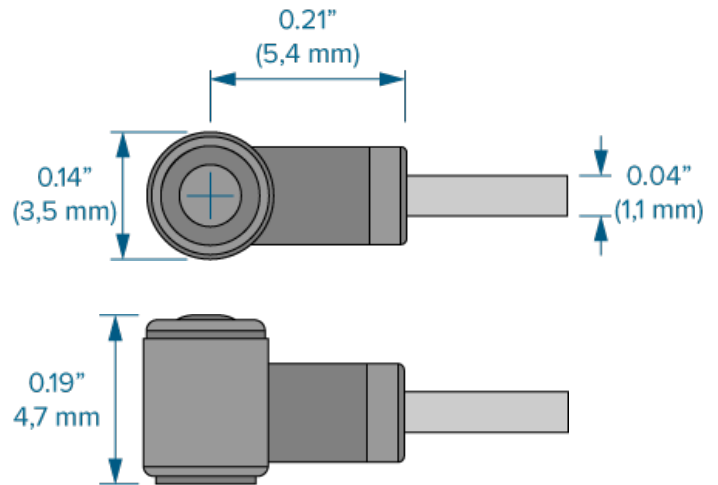
PRODUCT DIMENSIONS

**SINGLE- OR MULTI-CHANNEL
3.5 MM PIEZOELECTRIC
SENSOR**

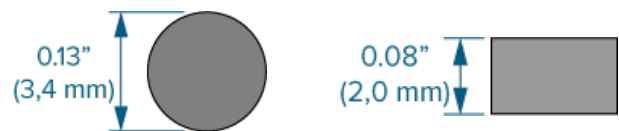
9210



The 9210 is a single- or multi-channel, indirect (under-pin), 3.5 mm (0.14") button-style piezoelectric cavity pressure sensor designed for use with the RJG, Inc. eDART® or CoPilot® process control and monitoring systems.

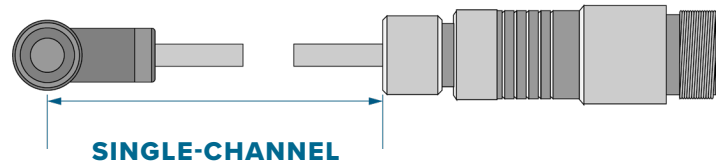


SENSOR LOADING DISC



SENSOR CABLE ORDERING LENGTH

SINGLE-CHANNEL	MULTI-CHANNEL	LENGTH
9210-0.2	9210-PZ-0.2	0,2 m (7.90")
9210-0.4	9210-PZ-0.4	0,4 m (15.75")
9210-0.6	9210-PZ-0.6	0,6 m (23.60")
9210-0.8	9210-PZ-0.8	0,8 m (31.50")
9210-1.2	9210-PZ-1.2	1,2 m (47.24")
9210-1.6	9210-PZ-1.6	1,6 m (62.99")
9210-2.0	9210-PZ-2.0	2,0 m (78.74")



TECHNICAL SPECIFICATIONS

SENSOR

Sensing Element	Piezoelectric	
Force Range	250 N	56 lb.
Nominal Sensitivity	12 pC/N	53 pC/lb.
Linearity	<2.0% Full Scale	
Insulation Resistance @ 20 °C (68 °F)	> 10 ¹² Ω	
Insulation Resistance @ 150 °C (302 °F)	> 10 ¹¹ Ω	
Sensor Housing		
Sealing		

TEMPERATURE

SENSOR HEAD		
Max. Temperature	392 °F	200 °C
ADAPTER		
Max. Temperature	140 °F	60 °C

INSTALLATION

Refer to product manual and installation guide for all dimensions—available for download online at www.rjginc.com.

- 1 Ejector Pin
- 2 Sensor
- 3 Counterbore in Ejector Plate
- 4 Sensor Loading Disc

EJECTOR PLATE INSTALLATION

