

## SINGLE/MULTI-CHANNEL 12.6 MM PIEZOELECTRIC CAVITY PRESSURE SENSOR

### 9204



The 9204 single- or multi-channel sensor is a 12,60 mm (0.496") digital, indirect (under-pin), button-style, piezoelectric cavity pressure sensor designed for use with the RJG eDART® and CoPilot® process control and monitoring systems.

### TECHNICAL SPECIFICATIONS

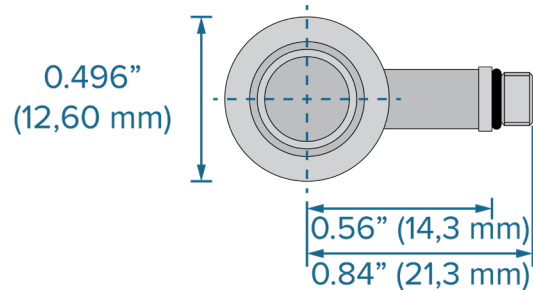
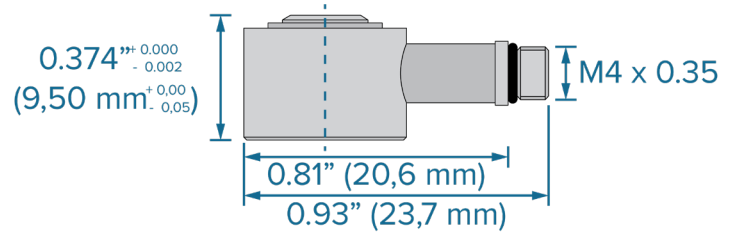
#### SENSOR

Sensing Element	Piezoelectric	
Pressure Range	2,248 lb.	10,0 kN
Nominal Sensitivity	9.80 pC/lb.	2,2 pC/N
Linearity	< 1.5% Full Scale	
Insulation Resistance @ 68 °F (20 °C)	> 10 <sup>12</sup> Ω	
Insulation Resistance @ 392 °F (200 °C)	> 10 <sup>11</sup> Ω	
Sensor Housing	Stainless Steel	
Sealing	Hermetic	
Connector	10-32 Coaxial Jack	

#### TEMPERATURE

<b>SENSOR HEAD</b>		
Max. Temperature	392 °F	200 °C
<b>ADAPTER</b>		
Max. Temperature	140 °F	60 °C

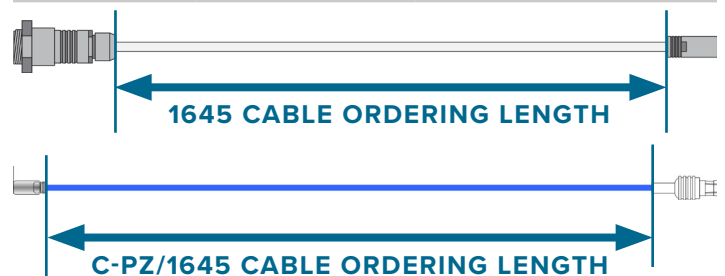
### PRODUCT DIMENSIONS



### SENSOR CABLE ORDERING LENGTH

Length must be longer than needed to facilitate safe installation and removal of connector from tool to prevent tension on the lead wire; generally, 2–3" (50–75 mm) of slack is sufficient. Use good sense to determine the appropriate cable length required for each application.

	SINGLE-CHANNEL	MULTI-CHANNEL	LENGTH	
			S.I.	ENGLISH
-		C-PZ/1645-0.1	0,1 m	3.9"
-		C-PZ/1645-0.15	0,15 m	5.9"
1645-0.2		C-PZ/1645-0.2	0,2 m	7.90"
-		C-PZ/1645-0.25	0,25 m	9.8"
-		C-PZ/1645-0.3	0,3 m	11.8"
-		C-PZ/1645-0.35	0,35 m	13.8"
1645-0.4		C-PZ/1645-0.4	0,4 m	15.75"
1645-0.6		C-PZ/1645-0.6	0,6 m	23.60"
1645-0.8		C-PZ/1645-0.8	0,8 m	31.50"
1645-1.2		C-PZ/1645-1.2	1,2 m	47.24"
1645-1.6		C-PZ/1645-1.6	1,6 m	62.99"
1645-2.0		C-PZ/1645-2.0	2,0 m	78.74"



## INSTALLATION

Refer to product manual and installation guide for all dimensions—available for download online at [www.rjginc.com](http://www.rjginc.com).

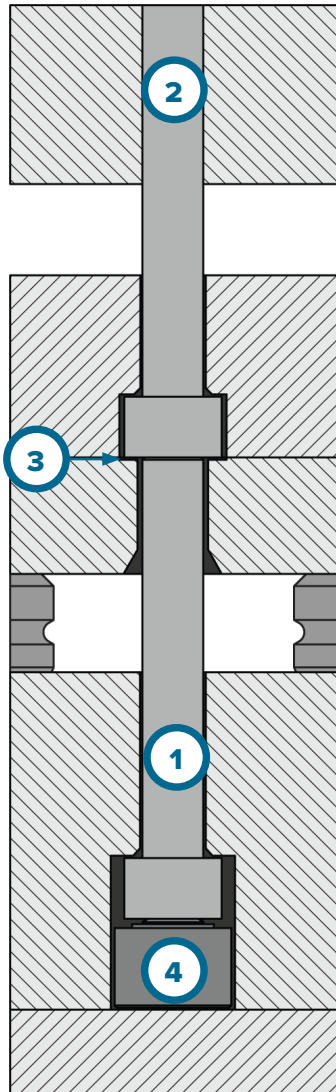
1 Transfer Pin

2 Ejector Pin

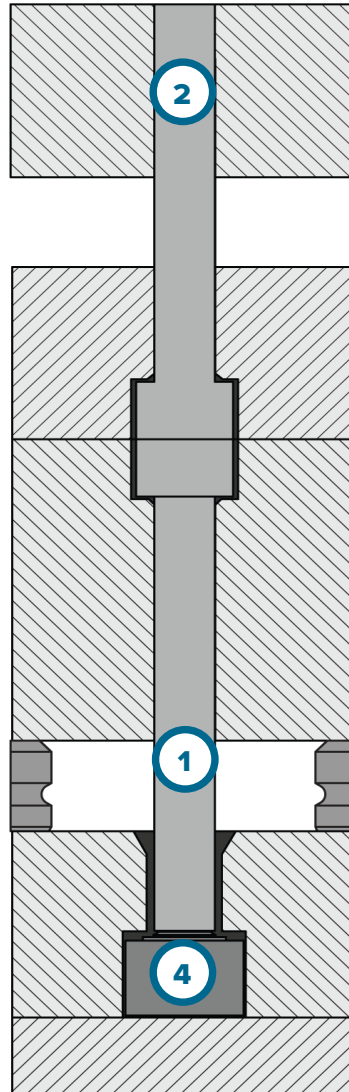
3 Counterbore in Ejector Plate

4 Sensor

### CLAMP PLATE (TYPICAL) INSTALLATION



### CLAMP PLATE (HEAD-TO-HEAD) INSTALLATION



### EJECTOR PLATE INSTALLATION

B Plate or  
Cavity Insert

Ejector  
Retainer  
Plate

Ejector  
Plate

Clamp  
Plate

Cover  
Plate

