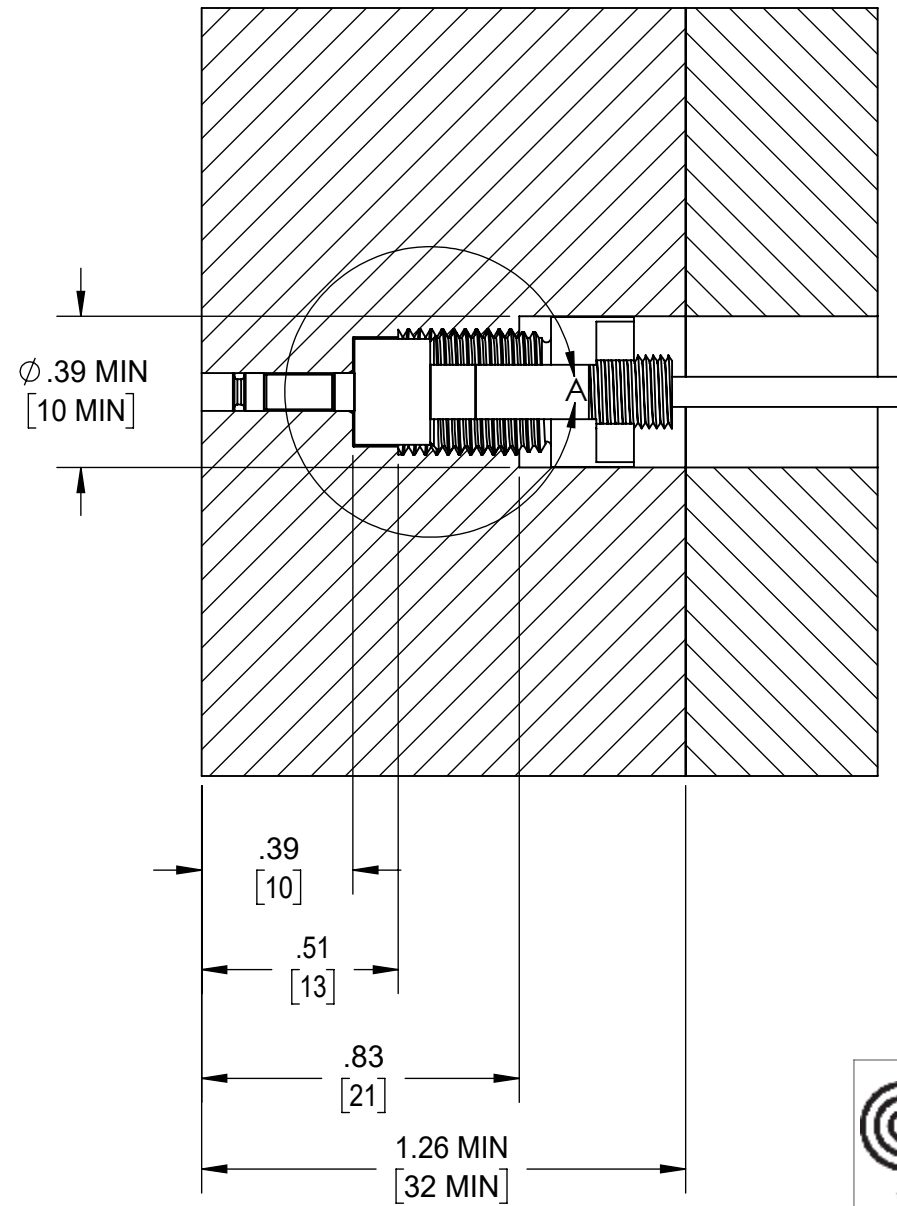
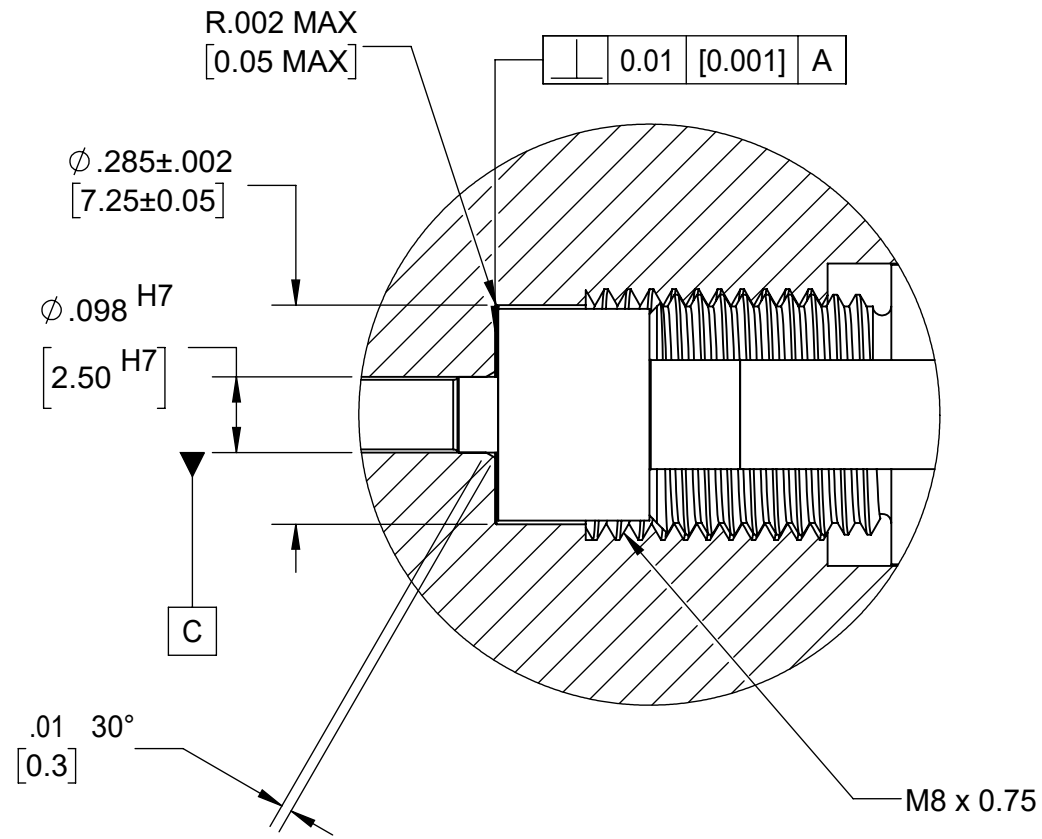
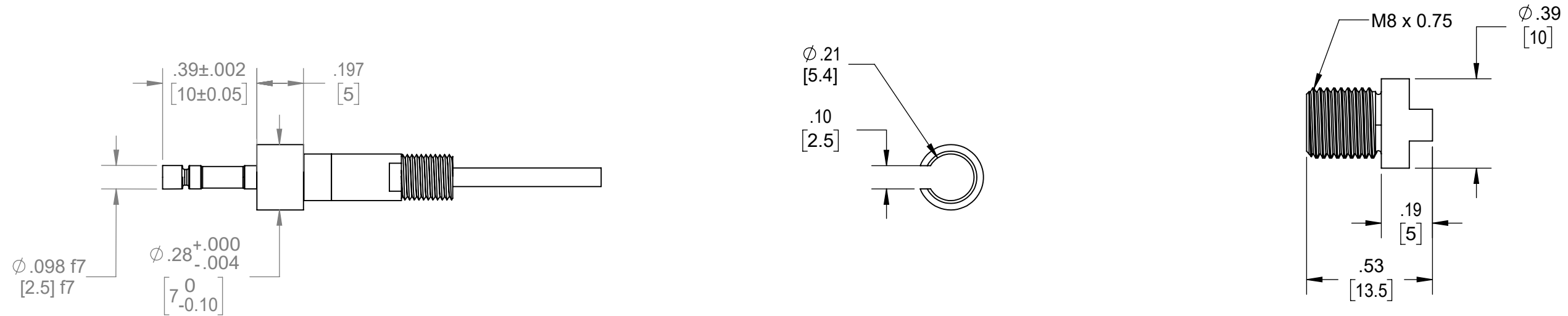



Drawing Title: 6159-01

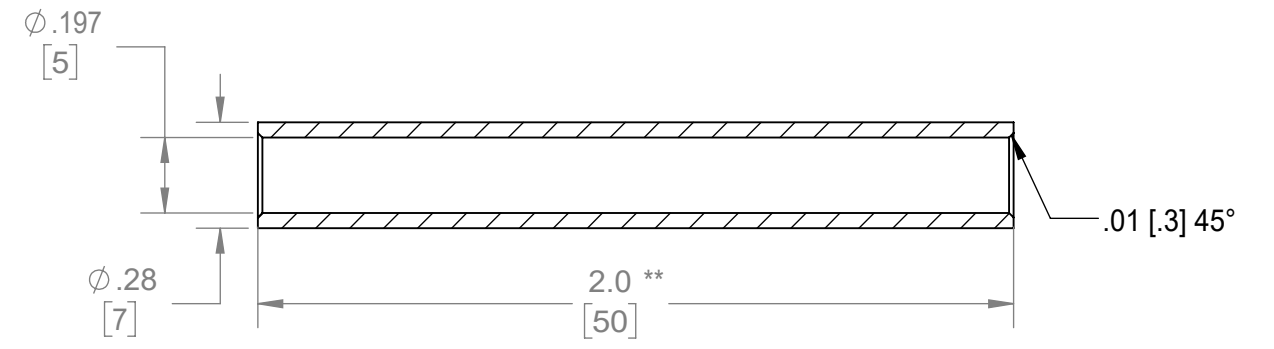
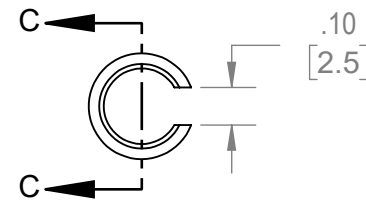
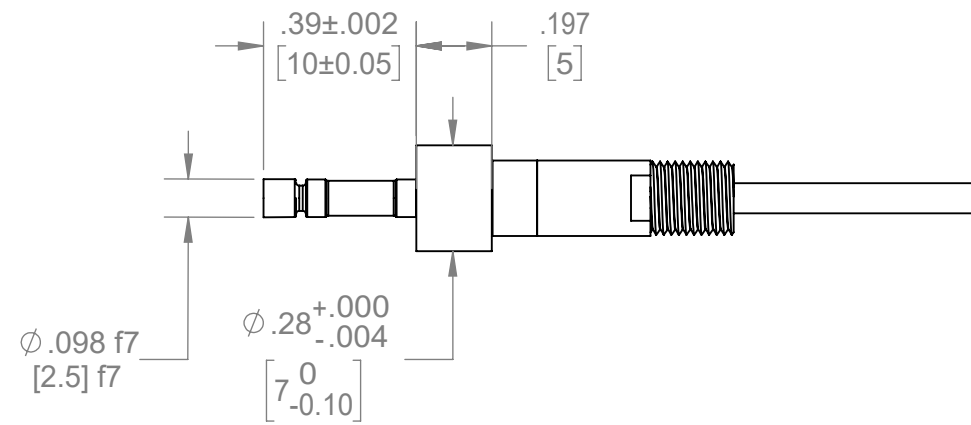


NOTES:

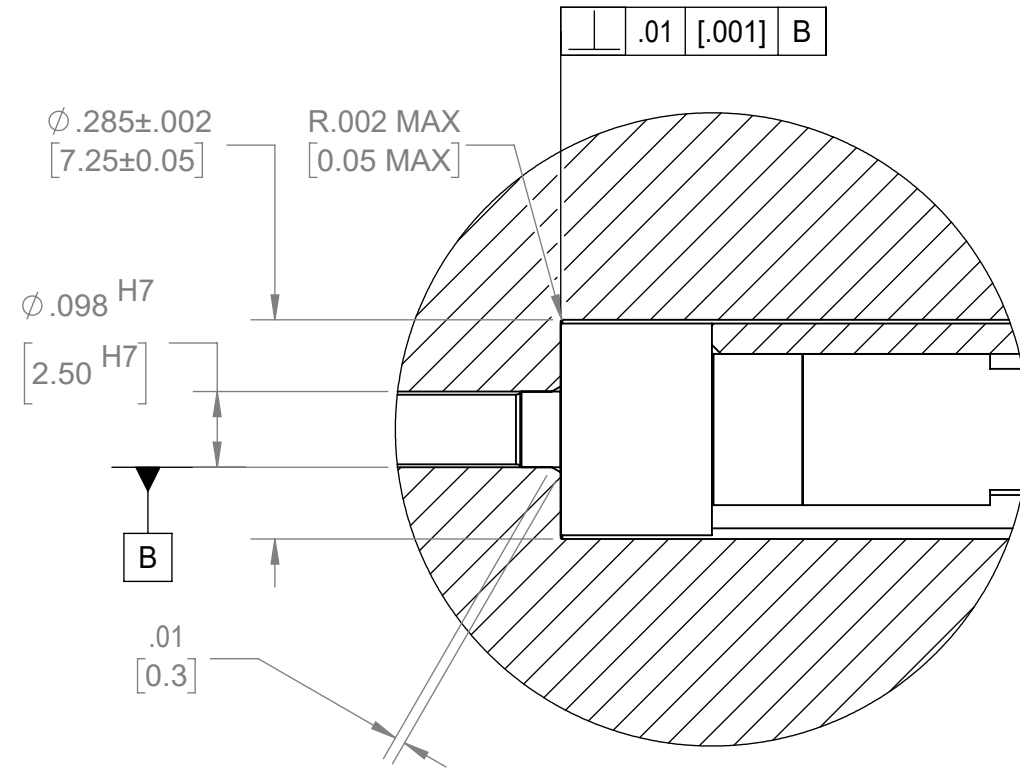
- DO NOT SCALE PRINT
- BREAK ALL SHARP EDGES, 0.005 [0.03] R MAX
- FINISH 32 EXCEPT AS NOTED
- DIMENSIONS IN INCHES [MM], UNLESS NOTED
- TOLERANCES UNLESS SPECIFIED:
 XXX = ± 0.003 [0.08]
 XX = ± 0.01 [0.3]
 ANGLES = $\pm 3^\circ$ 30°

 <small>3111 Park Street, Traverse City, MI 49686 231-944-2111 www.rjg.com</small>	Description: 6159 Sensor Installation
	Drawn: K.J.Brettschneider
	Design:
	Check: M.Groleau
Date: 03.15.2023	

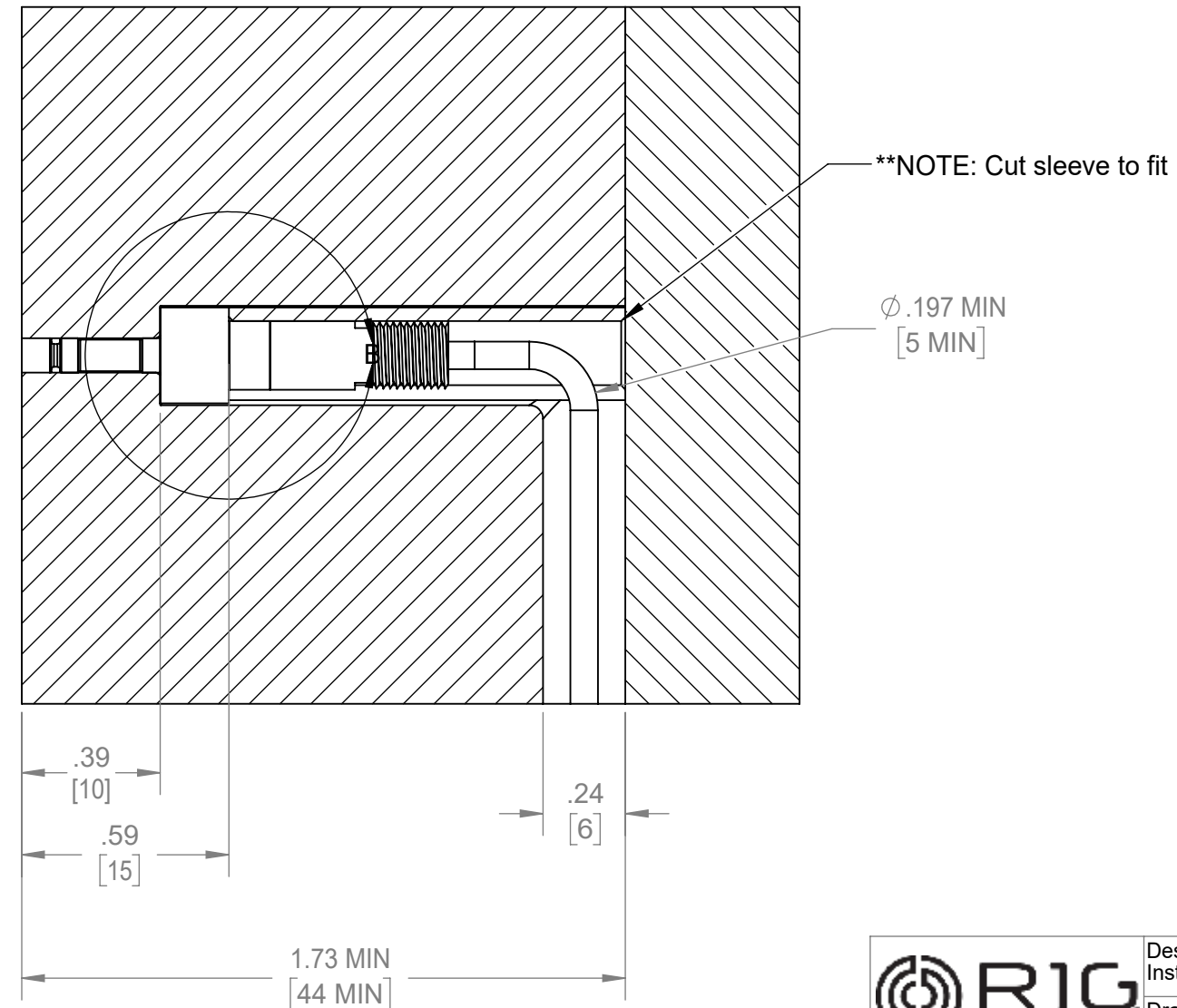
Drawing Title: 6159-02



SECTION C-C
SCALE 2 : 1




DETAIL B
SCALE 4 : 1



NOTES:

1. DO NOT SCALE PRINT
2. BREAK ALL SHARP EDGES, 0.005 [0.03] R MAX
3. FINISH 32 ✓ EXCEPT AS NOTED
4. DIMENSIONS IN INCHES [MM], UNLESS NOTED
5. TOLERANCES UNLESS SPECIFIED:
 XXX = ±0.003 [0.08]
 XX = ±0.01 [0.3]
 ANGLES = ±3° 30°

 <small>3111 Park Street, Traverse City, MI 49686 231-944-2111 www.rjg.com</small>	Description: 6159 Sensor Installation
	Drawn: K.J.Brettschneider
	Check: M.Groleau
	Date: 03.15.2023