

FLUSH-MOUNT 4 MM PIEZOELECTRIC CAVITY PRESSURE SENSOR

6157



The flush-mount 4 mm piezoelectric cavity pressure sensor 6157 from RJG, Inc. is a single- or multi-channel sensor that can withstand forces of up to 29,008 psi (2,000 bar) and a maximum temperature of 392 °F (200 °C).

TECHNICAL SPECIFICATIONS

SENSOR

Sensing Element	Piezoelectric	
Linearity	< 1% full scale	
Nominal Sensitivity	0.65 pC/psi	9.4 pC/bar
Insulation Resistance @ 68 °F (20 °C)	> 10 ¹² Ω	> 10 ¹² Ω
Insulation Resistance @ 392 °F (200 °C)	> 10 ¹¹ Ω	> 10 ¹¹ Ω

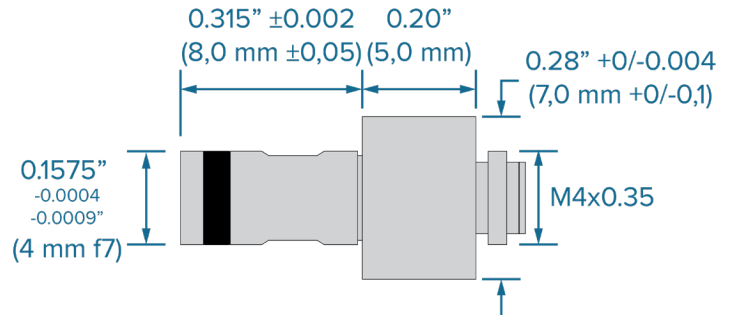
TEMPERATURE

MAX Temperature	392 °F	200 °C
-----------------	--------	--------

PRESSURE

Force Range	29,008 psi	2,000 bar
-------------	------------	-----------

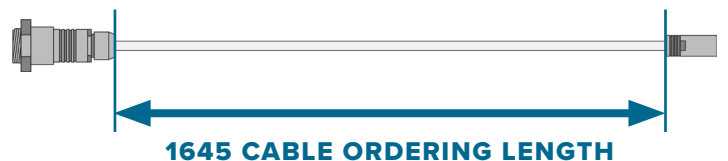
PRODUCT DIMENSIONS



SENSOR CABLE ORDERING LENGTH

Length must be longer than needed to facilitate safe installation and removal of connector from tool to prevent tension on the lead wire; generally, 2–3" (50–75 mm) of slack is sufficient. Use good sense to determine the appropriate cable length required for each application.

	SINGLE-CHANNEL	MULTI-CHANNEL	LENGTH	
			S.I.	ENGLISH
-	-	C-PZ/1645-0.1	0,1 m	3.9"
-	-	C-PZ/1645-0.15	0,15 m	5.9"
1645-0.2	-	C-PZ/1645-0.2	0,2 m	7.90"
-	-	C-PZ/1645-0.25	0,25 m	9.8"
-	-	C-PZ/1645-0.3	0,3 m	11.8"
-	-	C-PZ/1645-0.35	0,35 m	13.8"
1645-0.4	-	C-PZ/1645-0.4	0,4 m	15.75"
1645-0.6	-	C-PZ/1645-0.6	0,6 m	23.60"
1645-0.8	-	C-PZ/1645-0.8	0,8 m	31.50"
1645-1.2	-	C-PZ/1645-1.2	1,2 m	47.24"
1645-1.6	-	C-PZ/1645-1.6	1,6 m	62.99"
1645-2.0	-	C-PZ/1645-2.0	2,0 m	78.74"



INSTALLATION

Refer to product manual and installation guide for all dimensions—available for download online at www.rjginc.com.

- 1 Sensor¹
- 2 Sensor Cable²
- 3 Mold Steel

- 4 Cavity
- 5 Retaining Nut³
- 6 Retaining Sleeve⁴

¹ 6157

² 1645 or C-PZ/1645

³ Sold separately, part no. MA-6157-NUT

⁴ Sold separately, part no. MA-6157-S20

