

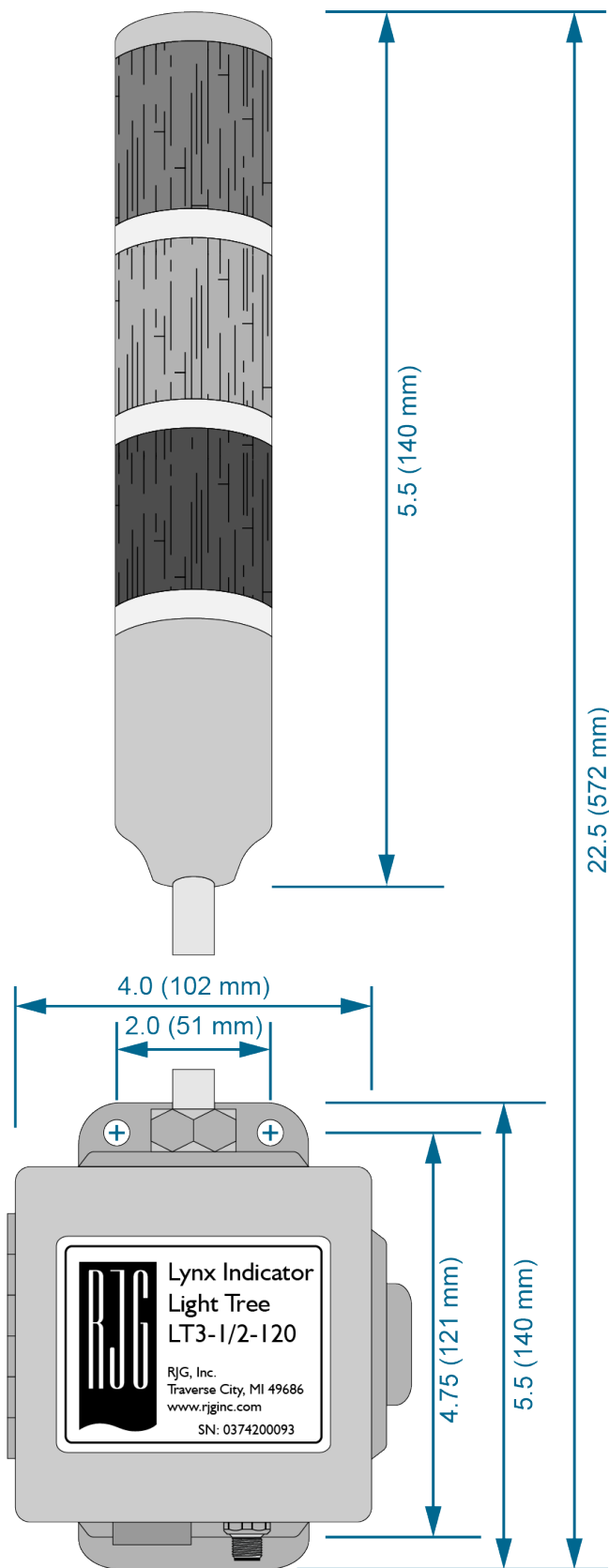


LYNX™ INDICATOR LIGHT TREE (120 V AC)

LT3-1/2-120



PRODUCT DIMENSIONS



The LT-1/2-120 is a molding machine mountable indicator light tree designed to be used with the eDART® system.

TECHNICAL SPECIFICATIONS

The light tree works with the eDART software to visually indicate if your process is running within limits.

Item	Power
Power to Lynx Connector (supplied by eDART)	12 V DC
Current Draw from eDART	50 mA
Light Tree Power Draw	0.2 A 110 V AC

INSTALLATION

The light tree is mounted directly to the side of the molding machine using the box mounting holes.

To power up the light tree, simply plug it in to the Lynx network and hook up the included power cable (see wiring table below). The eDART software will automatically detect the light tree. The lights are controlled based on the process limits set in the Alarm Settings or Process Match Meter tools in the software.

Wire Color

● Black

● White

● Green

Connection

120 V AC

AC Common

Earth

- 1 Light Tree
- 2 Red Light
- 3 Amber Light
- 4 Green Light
- 5 Lynx Port
- 6 Power Port



CAUTION Always power down before working on any equipment.

