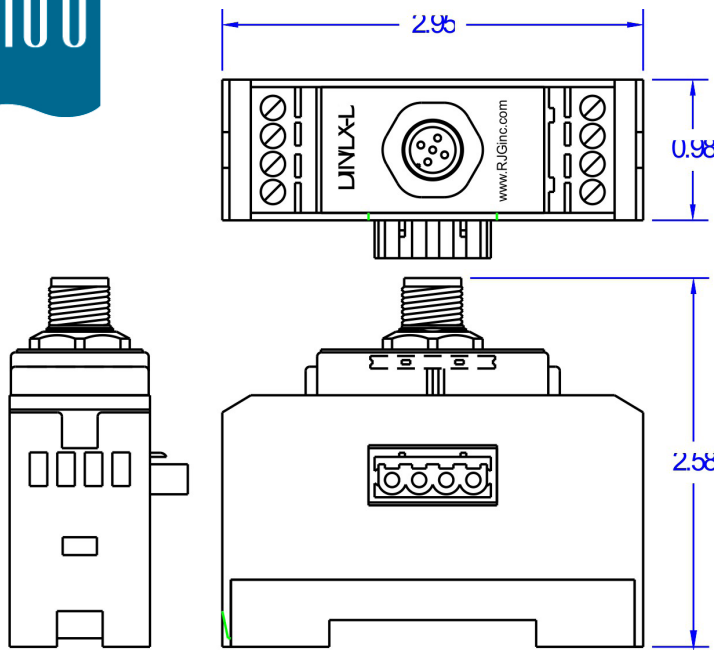




Lynx to DIN Rail Communications Adapter DIN/LX-D



The DIN/LX-D is a Lynx to DIN rail communications module that acts as an interface between standard Lynx cables and Lynx DIN rail mounted modules when not using a ID7-D-SEQ. The DIN/LX-D is designed to be used with the eDART® System.

The DIN/LX-D is designed to be mounted on standard 35mm DIN rail often found in machine panels.

CAUTION



Always power down before working on any equipment