



PRODUCT DIMENSIONS

CABLE LENGTH

The C-OR2/LX-4M is 13 ft. (4 m) long.



CABLE INSTALLATION

Wire the C-OR2/LX-4M using the following wiring table.

RELAY	SIGNAL	COLOR
CR1	Normally Open	○ White
CR1	Common	● Green
CR1	Normally Closed	● Brown
CR2	Normally Open	○ White
CR2	Common	● Green
CR2	Normally Closed	● Brown

Contact Rating 1A 30 V DC

**LYNX™ SURFACE-MOUNT
DUAL-RELAY OUTPUT MODULE
OR2-S CABLE**

C-OR2/LX-4M



The C-OR2/LX-4M cable is designed for use with the RJG, Inc. Lynx™ Surface-Mount Dual-Relay Output Module OR2-S and the eDART® or CoPilot® system.

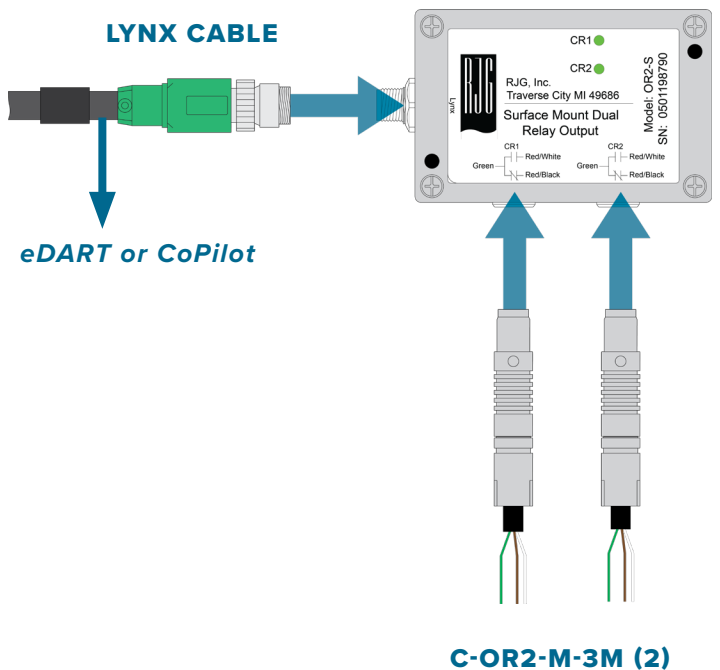
TECHNICAL SPECIFICATIONS

The C-OR2/LX-4M cable is suited for the heat and stress found in injection molding environments.

Connect the C-OR2/LX-4M to the molding machine input card for use with V→P transfer or injection enable; connect the C-OR2/LX-4M to sorting equipment for part sorting.

CABLE CONNECTIONS

Equipment	refer to wiring table
OR2-S	Female 3-pin Connector



COMPATIBLE RJG, INC. PRODUCTS

LYNX RELAY MODULE

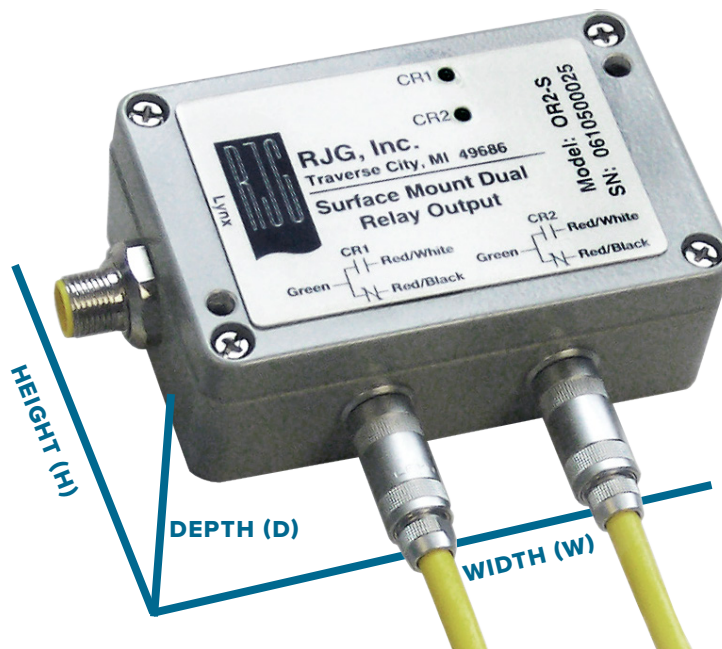
TYPE

DIMENSIONS

OR2-S

Metal Surface-Mount,
Shielded

3.86" W x 1.41" D x 2.52" H
(98,0 mm W x 35,8 mm D x
64,0 mm H)



OR2-S

PRODUCT

DESCRIPTION

RJG, Inc. eDART
System

Process monitoring
and control system for
plastic injection molding
applications

RJG, Inc. CoPilot
System

Process monitoring
and control system for
plastic injection molding
applications



eDART



CoPilot