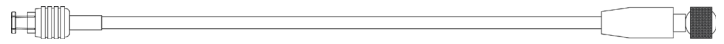




PRODUCT DIMENSIONS

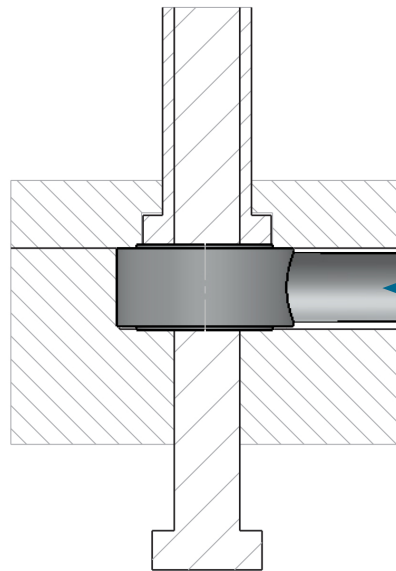
CABLE LENGTHS

Length must be longer than needed to assure proper installation without tension on the lead wire. Length specified at time of order.

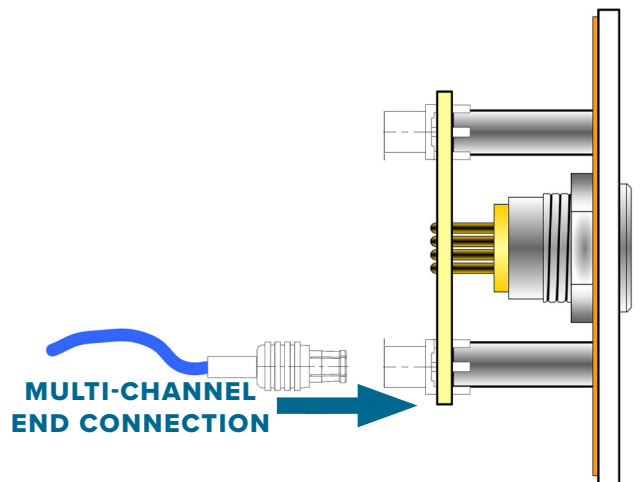


CABLE ORDERING LENGTH

CABLE INSTALLATION



**211M18 END CONNECTION
#10-32 UNF-2A**



**MULTI-CHANNEL
END CONNECTION**

**PIEZOELECTRIC LOAD WASHER
SENSOR 211M18 MULTI-CHANNEL
ADAPTER CABLE**

C-LW003C10-A



The C-LW003C10-A piezoelectric load washer sensor 211M18 multi-channel cable is designed for use with RJG, Inc. Lynx™ multi-channel piezoelectric adapters PZ-4 (four-channel) and PZ-8 (eight-channel).

TECHNICAL SPECIFICATIONS

The C-LW003C10-A piezoelectric sensor cable is a low noise, TFE coaxial cable suited for the heat and stress found in injection molding environments.

CABLE DATA

Impedance		50 Ω
Bending Radius	1.0"	25,4 mm
Diameter	0.079"	2,01 mm
Max Temp	500 °F	260 °C

CABLE CONNECTORS

Sensor End Connection	1-Pin Straight Plug
End Connection	MCX Straight Plug

COMPATIBLE RJG, INC. PRODUCTS



SENSOR	TYPE	SIZE	RANGE
211M18	Piezoelectric, Load Washer	0.251" ID X 0.65" OD X 0.31" H	5,000 lb (22 kN)

PRODUCT	DESCRIPTION	COMPATIBLE CABLE
PZ-4	Four-Channel Piezoelectric Sensor Connector	C-LW003C10-A
PZ-8	Eight-Channel Piezoelectric Sensor Connector	C-LW003C10-A



PZ-4



PZ-8

PRODUCT	DESCRIPTION
PZ/LX4F-S	Lynx Four-Channel Piezoelectric Surface Mount Sensor Adapter
PZ/LX8F-S	Lynx Eight-Channel Piezoelectric Surface Mount Sensor Adapter
C-PZ/LX4F-S	Lynx 3' Cable for PZ/LX4F-S
C-PZ/LX8F-S	Lynx 3' Cable for PZ/LX8F-S



PZ/LX4F-S-ID



PZ/LX8F-S-ID