

SINGLE CHANNEL PIEZOELECTRIC SENSOR CONNECTOR CABLE

1645



The 1645 piezoelectric sensor cable is designed for use with the RJG piezoelectric sensors and the Lynx mold-mount piezoelectric cavity pressure sensor adapter LP/LX1-M or Lynx surface-mount piezoelectric cavity pressure sensor adapter PZ/LX1-S.

TECHNICAL SPECIFICATIONS

The 1645 piezoelectric sensor cable features a PTFE/FEP coaxial cable suited for the heat and stress found in injection molding environments. Designed specifically for use with RJG, Inc.'s LP/LX1-M or PZ/LX1-S, the 1645 piezoelectric sensor cable provides a quick, direct connection to the Lynx adapter and RJG, Inc. piezoelectric in-mold cavity pressure sensors.

CABLE

Maximum Temperature	392 °F 200 °C
Maximum Cable Bend Radius	0.197" (5,0 mm)

CABLE CONNECTORS

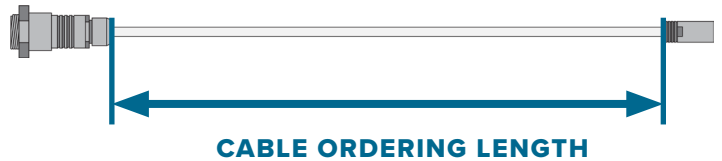
Sensor End Connection	1-Pin Straight Plug
LP/LX1-M End Connection	Fischer S 102 A014

† Product contains no user-serviceable parts.

PRODUCT DIMENSIONS

CABLE LENGTHS

Length must be longer than needed to assure proper installation without tension on the lead wire.

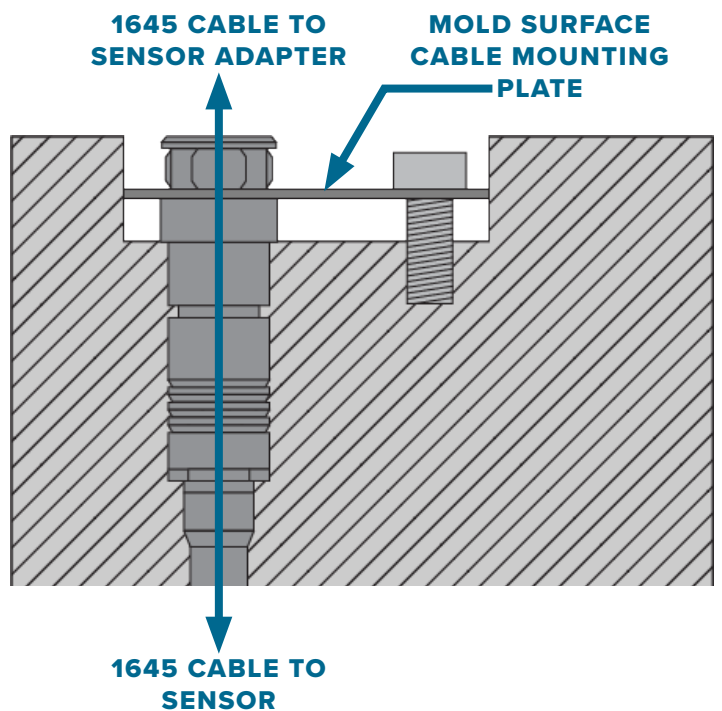


CABLE LENGTH

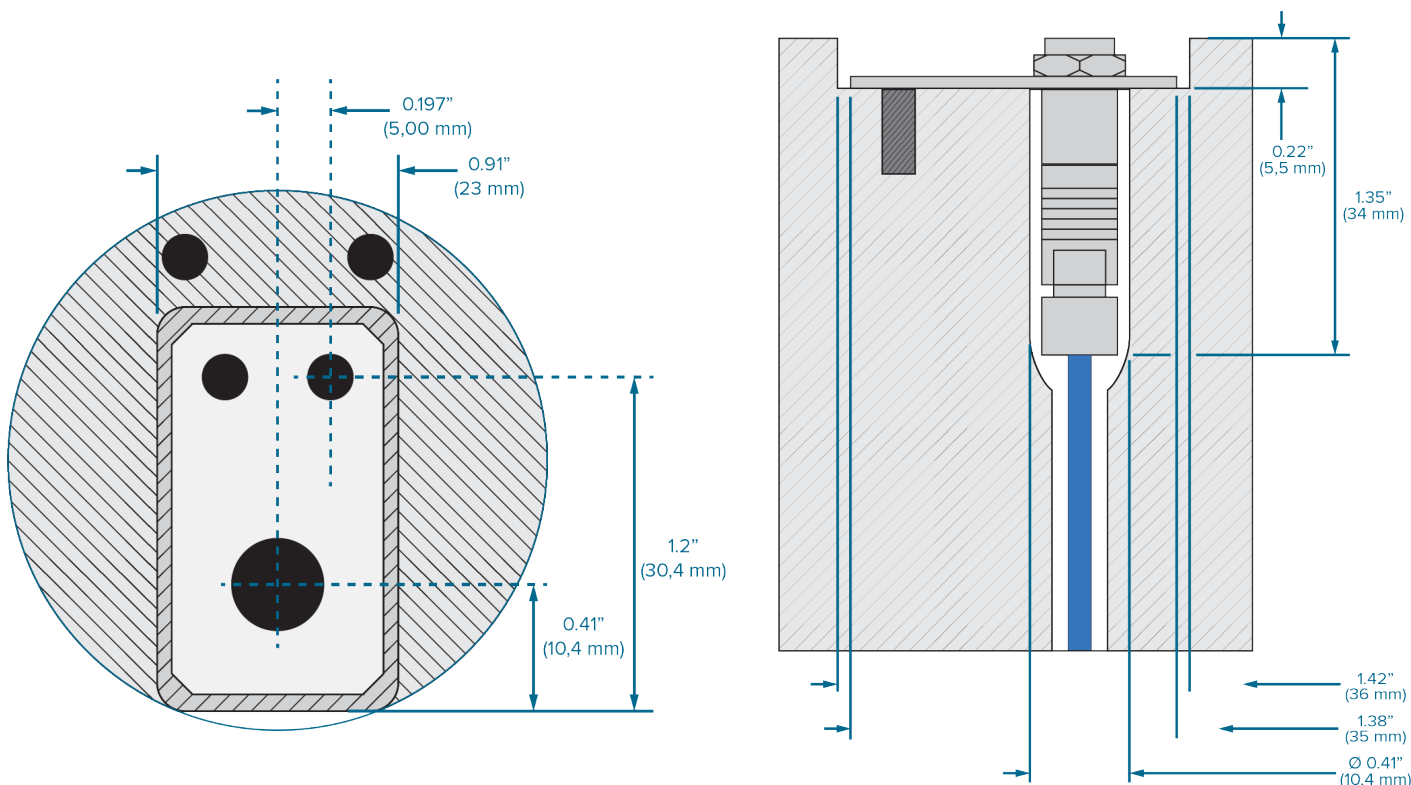
PART NO.

CABLE LENGTH		PART NO.
7.9"	0.2 m	1645-0.2
15.7"	0.4 m	1645-0.4
23.6"	0.6 m	1645-0.6
31.5"	0.8 m	1645-0.8
47.2"	1.2 m	1645-1.2
63.0"	1.6 m	1645-1.6
78.7"	2.0 m	1645-2.0

CABLE INSTALLATION OVERVIEW



INSTALLATION



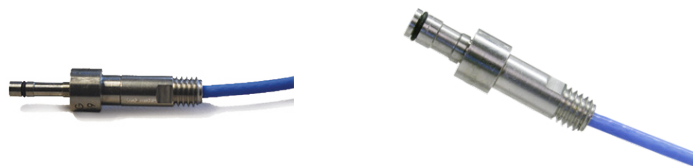
COMPATIBLE RJG, INC. PRODUCTS

SENSOR	TYPE	SIZE	RANGE
9204	Piezoelectric, Button	12.6 mm	2,248 lb (10 kN)
9211	Piezoelectric, Button	6 mm	562 lb (2.5 kN)
6159	Piezoelectric, Flush Mount	6 mm	29,008 psi (2,000 Bar)
6157	Piezoelectric, Flush Mount	4 mm	29,008 psi (2,000 Bar)



9204

9211



6159

6157

SENSOR ADAPTER TYPE

DIMENSIONS

LP/LX1-M	Single-Channel Mold-Mount Piezoelectric Adapter	-
PZ/LX1-S	Single-Channel Surface-Mount Piezoelectric Adapter	-

LP/LX1-M



PZ/LX1-S

