

Lynx Flow-Temperature Interface Module IA2-M-FT Installation Guide (compatible with Smartflow® TracerVM™)



GENERAL DESCRIPTION

The IA2-M-FT Lynx™ Flow-Temperature Interface Module provides all the inputs and outputs needed to interface the RJG eDART® System to the Smartflow® TracerVM™ line of flowmeters.

Technical Specifications	
Max. Temp. (Operating)	140 °F (60 °C)
Accuracy	±1% FS
Input Type	Electrically isolated
Minimum Software Requirements	v9.4.1 / v10.6.8 or higher

Table 1: Technical Specifications for IA2-M-FT Lynx™ Flow-Temperature Interface Module.

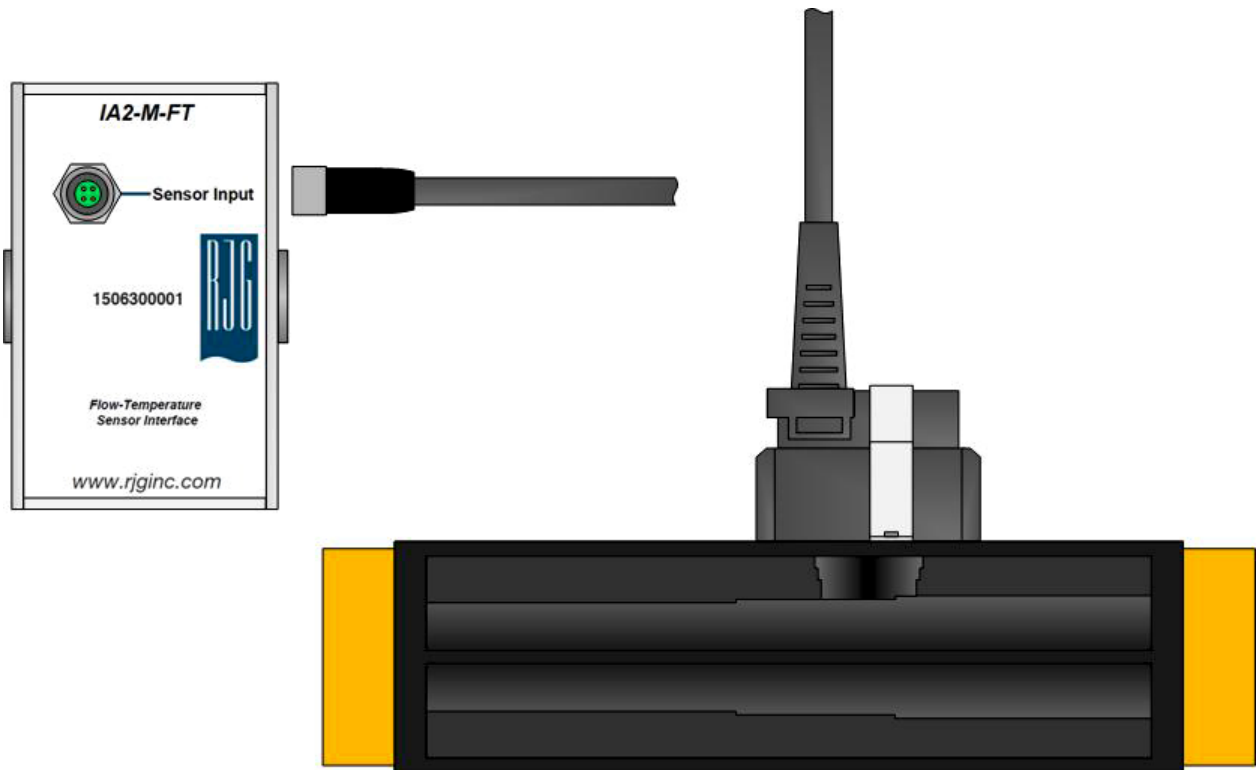


Figure 1: IA2-M-FT with compatible Smartflow's TracerVM sensor and cable.



NOTE: Make sure that these modules, and any connecting cables, are out of the way of any sources of static such as feeder tubes and material hoppers.

Module Installation and Setup

The IA2-M-FT is designed to be connected with other Lynx Shielded Machine Interface modules but can also be connected to the Lynx network by using a DIN/LX-M (see Figure 2).

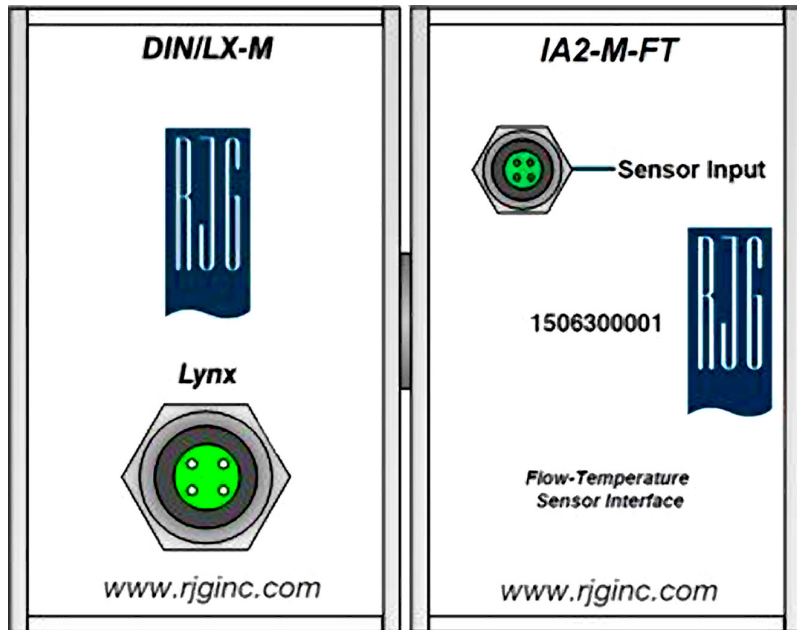


Figure 2: Din/LX-M and IA2-M-FT.

Once mounted and connected to the Lynx network, the IA2-M-FT can be attached to the Smartflow sensor. The flowmeter cable is fitted with a connector to mate to the IA2-M-FT. After attaching the cable to the module, the setup will need to be completed in the eDART software.



Notice: The IA2-M-FT requires at least version 9.4.1 or 10.6.8.1 of the eDART software to operate. This can be downloaded from the RJG website.

The temperature measurement is pre-configured. Once connected, you will need to go to the eDART software to select the sensor model being used from the drop down menu in order to scale it correctly. See Table below.

Technical Specifications		
Smartflow TracerVM	VM-##-15-B	1-15 lpm (.264-3.96 gpm)
	VM-##-40-B	2-40 lpm (.528-10.6 gpm)
	VM-##-100-B	5-100 lpm (1.32-26.41 gpm)
	VM-##-200-B	10-200 lpm (2.64-52.8 gpm)

Table 2: Flow ranges and part numbers for Smartflow TracerVM flowmeters

For further Information please contact RJG Customer Support at 231-947-3111 ext. 170 or visit our website at: <https://www.rjginc.com/edart/hardware> to obtain detailed manuals.