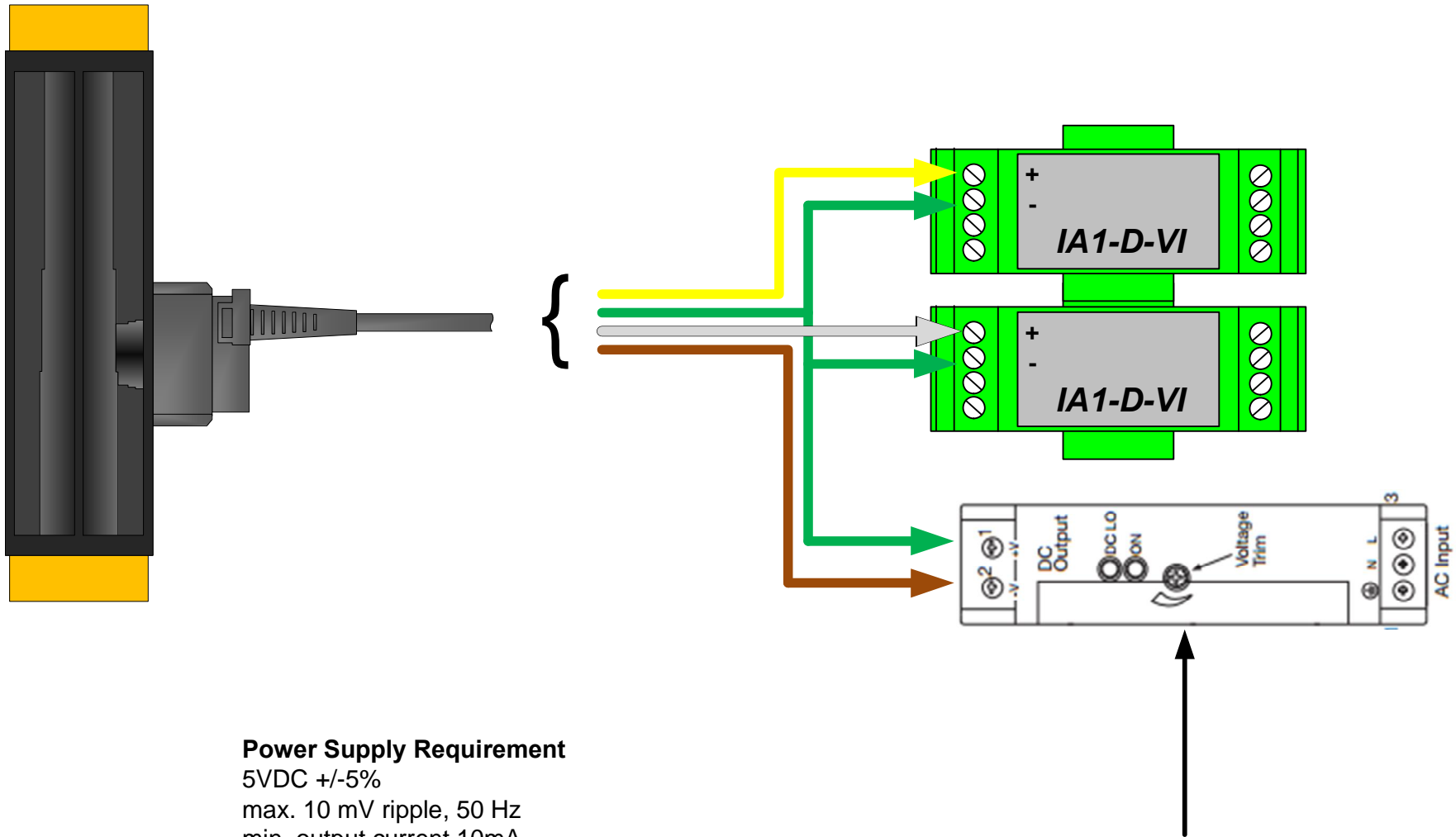


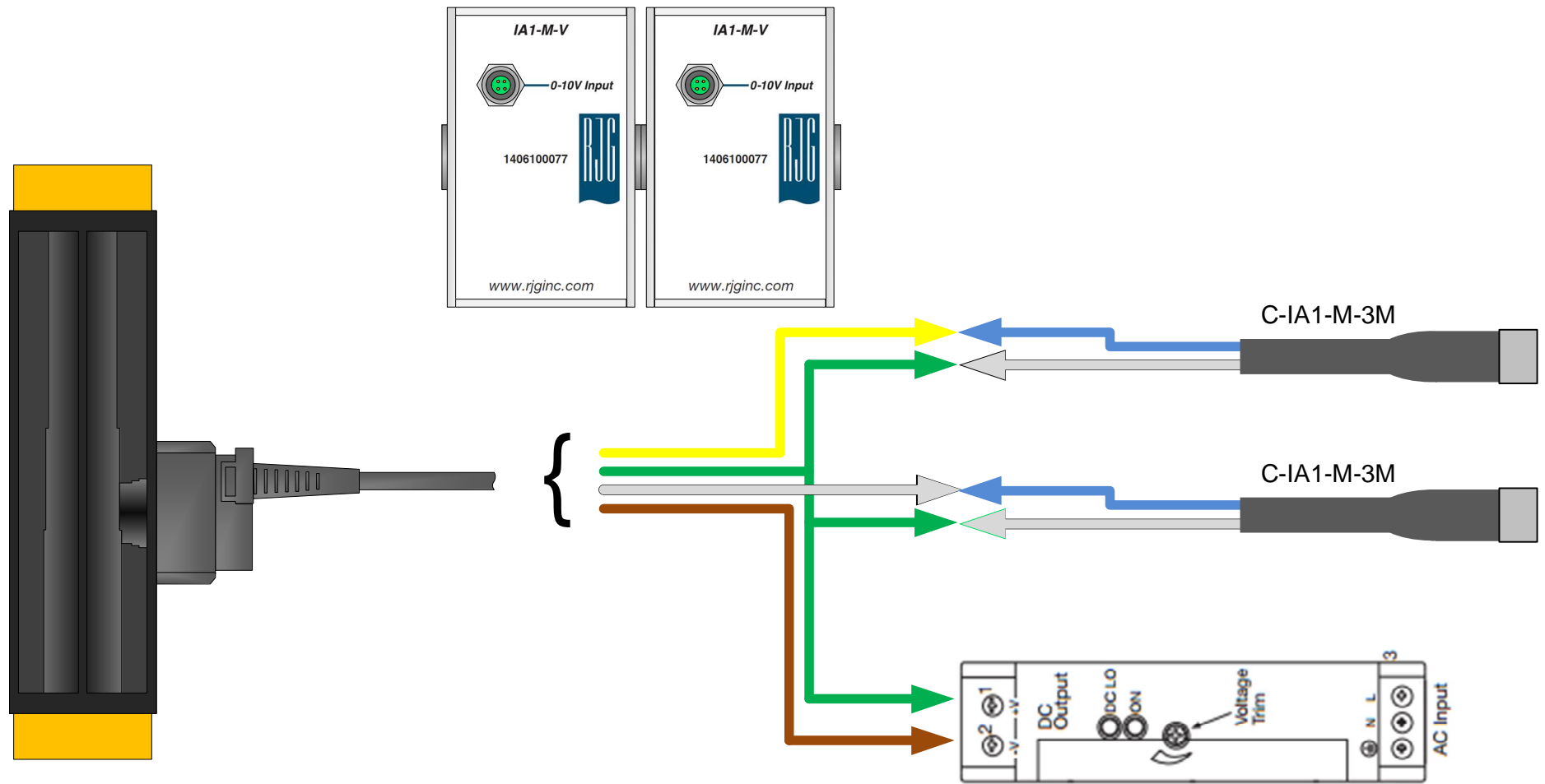
Interfacing (2) IA1-D-VI to Smartflow®'s TracerVM™ Flowmeter



Power Supply Requirement
5VDC +/-5%
max. 10 mV ripple, 50 Hz
min. output current 10mA

Typical supply shown: <http://www.digikey.com/product-detail/en/DNR10US05/1470-1085-ND/4487466>

Interfacing (2) IA1-M-V to Smartflow®'s TracerVM™ Flowmeter



Power Supply Requirement
5VDC +/-5%
max. 10 mV ripple, 50 Hz
min. output current 10mA

Typical supply shown: <http://www.digikey.com/product-detail/en/DNR10US05/1470-1085-ND/4487466>