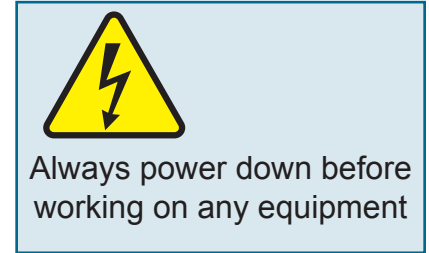
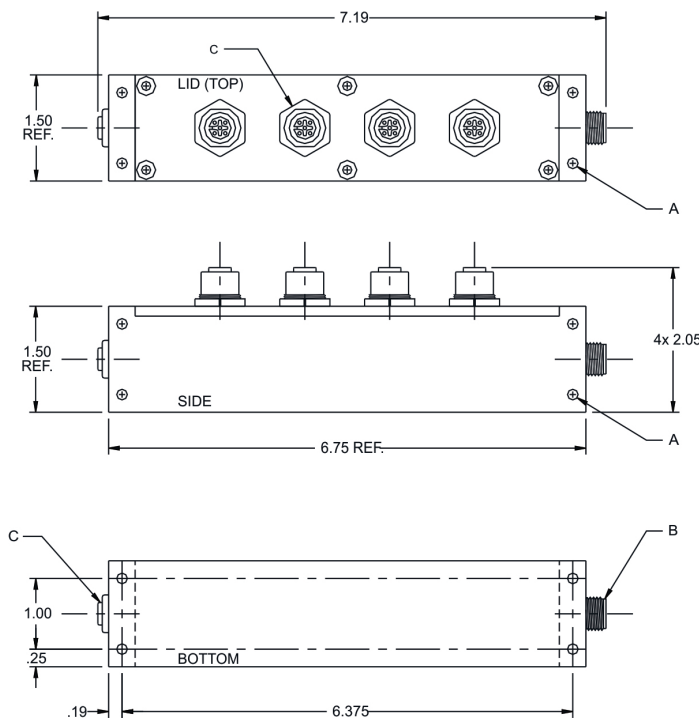


5-Port and 9-Port Lynx™ Junction Boxes - J-LX5-CE, J-LX 9-CE

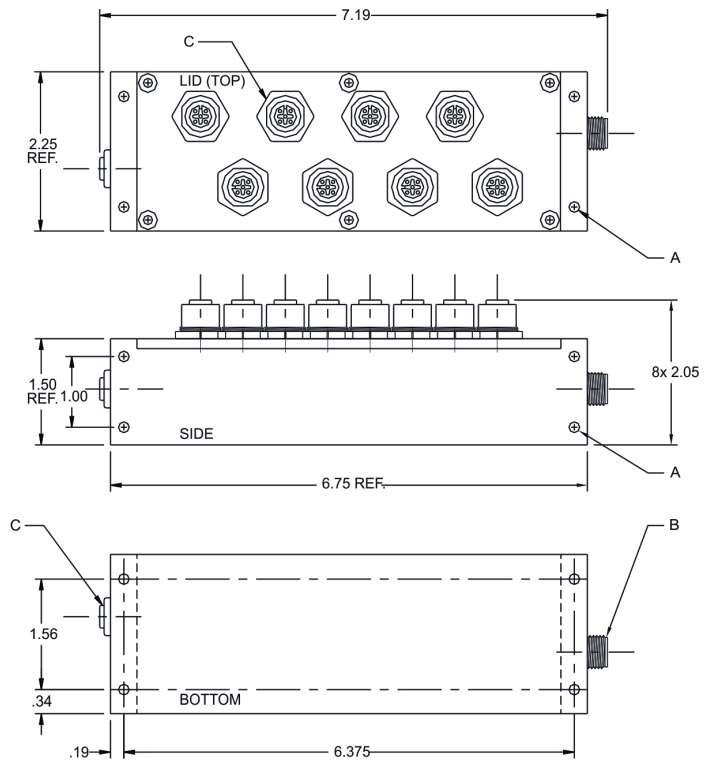
Designed to be used with the eDART® System, the J-LX5-CE and J-LX9-CE Lynx™ junction boxes can be mounted on the moving or stationary platen, mold half or any other convenient location on the molding machine.



Once mounted, the junction boxes allow up to nine Lynx™ devices to interface with other Lynx™ devices and the eDART® System. All devices get their power through the micro connectors on the junction boxes.



Lynx™ 5-port junction box J-LX5-CE



Lynx™ 9-port junction box J-LX9-CE

Note: 85 °C Maximum Operating Temperature

| | |
|----------|---|
| A | Mounting holes - drill and tap for #6-32 x 1.75" SHCS |
| B | Connects to eDART System™ |
| C | Connects to eDART® sensors |