

Lynx™ J-LX1 and J-LX1-B Connector

J-LX1

The J-LX1 is a feed-through junction for use with the eDART® System Lynx™ network. The feed-through junction connects the DIN rail modules inside the machine panel to the eDART®, which is outside the machine panel.

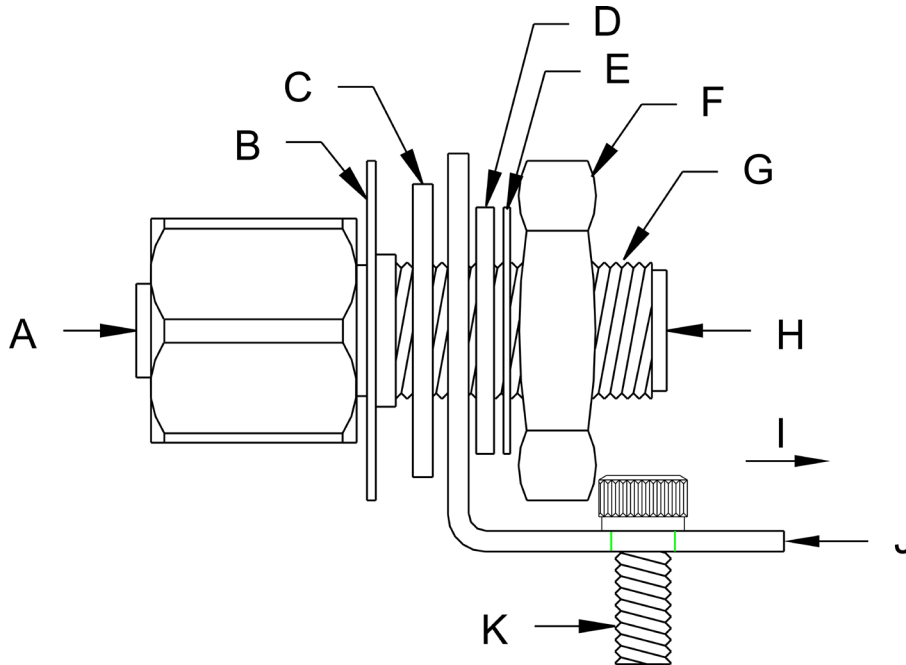
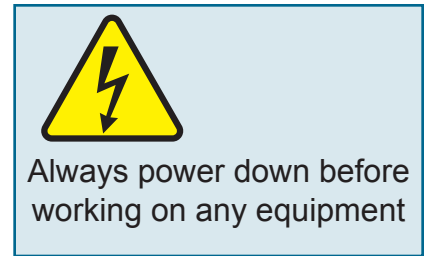


Figure 32: Lynx™ J-LX1 / J-LX1-B

A	Female Socket
B	Thin Shoulder Washer
C	Thin Plastic Washer
D	Rubber Washer
E	Steel Washer
F	Nut
G	Threads
H	Male Pins
I	To eDART®
J	Bracket (J-LX1-B only)
K	(2) 10-32 x 1/2" Hex Head Screws (J-LX1-B only)

Figure Labels

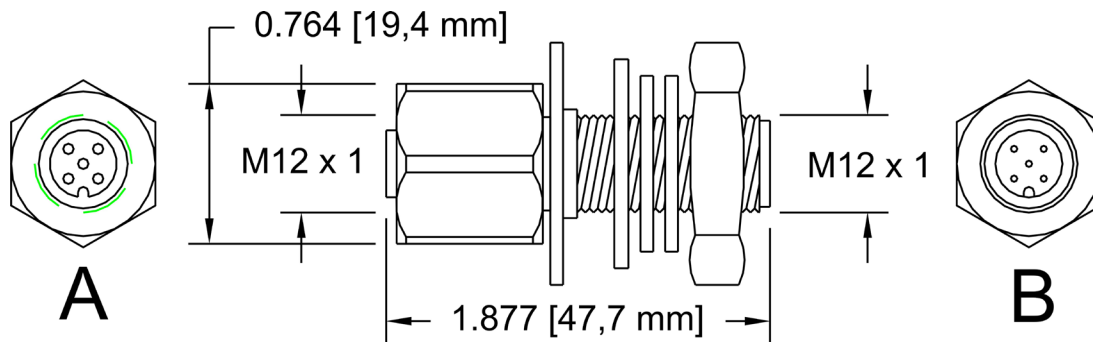


Figure 33: Lynx™ J-LX-1 dimensional drawing

A	Sockets
B	Pins

Figure Labels

J-LX1-B

The J-LX1-B is a mold or platen mount junction for use with the eDART® System Lynx™ network. The junction connects various Lynx™ mold and machine mount devices, while allowing Lynx™ cabling to be safely routed around the mold.

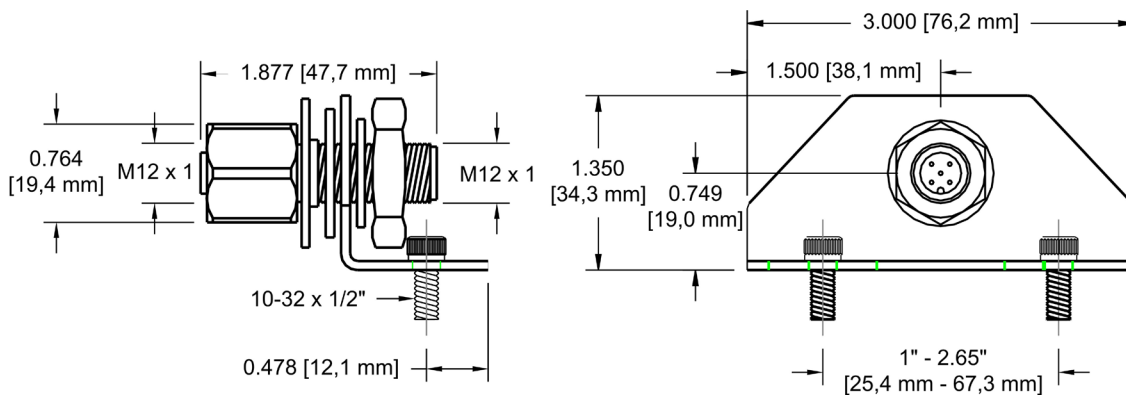


Figure 34: Lynx™ J-LX-B dimensional drawing