

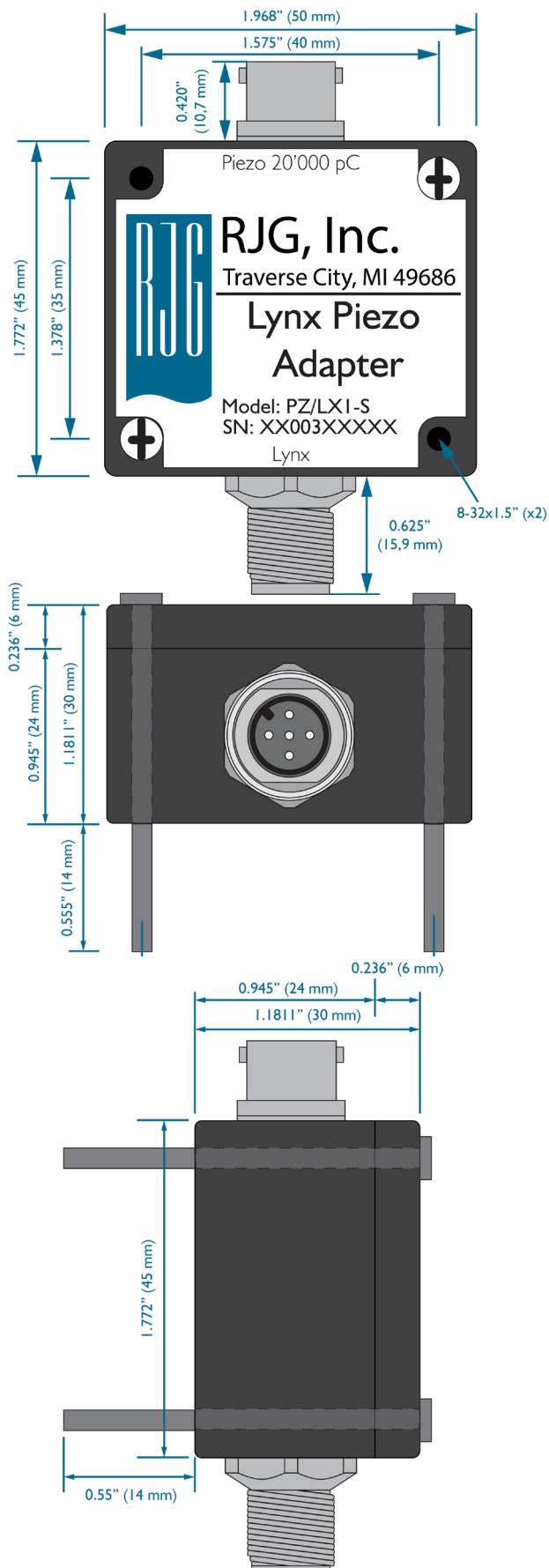


**LYNX™
SURFACE-MOUNT
PIEZOELECTRIC
SENSOR ADAPTER**

PZ/LX1-S



PRODUCT DIMENSIONS



The Lynx™ surface-mount piezoelectric adapter PZ/LX1-S provides cavity pressure sensor users with a convenient, simple interface between piezoelectric sensors and the RJG, Inc. eDART® system.

TECHNICAL SPECIFICATIONS

Range	0–20,000 pC
Resolution	0.4 pC/step
Drift Rate	0.33 pC/second up to 140 °F (60 °C)
Accuracy	± 1%
Linearity	±0.05%
Max. Operating Temperature	140 °F (60 °C)
Warm-Up Time	5 minutes

INSTALLATION

- 1 Piezoelectric Sensor Connector Cable 1661^{1,2}
- 2 eDART¹
- 3 Lynx Cable CE-LX5^{1,3}
- 4 Lynx Surface Mount Piezoelectric Adapter PZ/LXI-S

- 1 Purchased separately.
- 2 1661 cable available in multiple lengths.
- 3 CE-LX5 cable available in multiple lengths, with straight or 90° connector options.



CAUTION Must be mounted on a frame-grounded structure or control panel; ground potential is equal to that used by the eDART—adapter and cables are free from contact with static sources such as feeder tubes and material hoppers.

Refer to the Lynx Surface Mount Piezoelectric Sensor Adapter PZ/LXI-S Product Manual for more installation, setup, and troubleshooting information—product documentation available for free download online at www.rjginc.com.

To Piezoelectric Sensor Cable 1645 (not shown)

