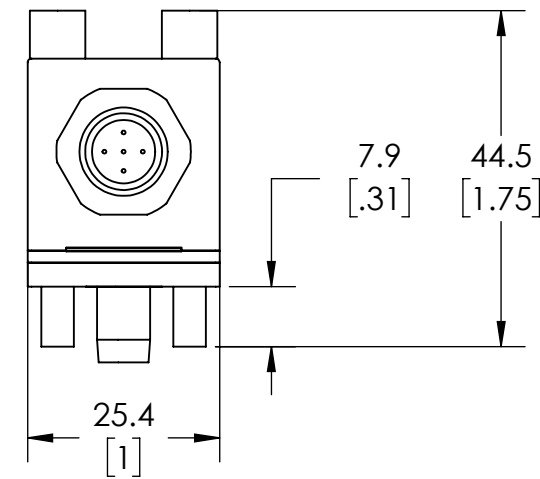
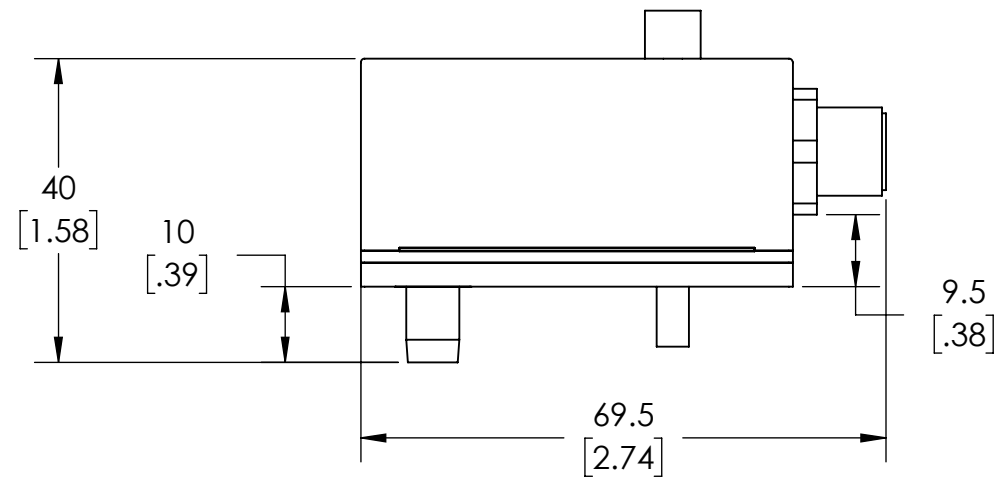
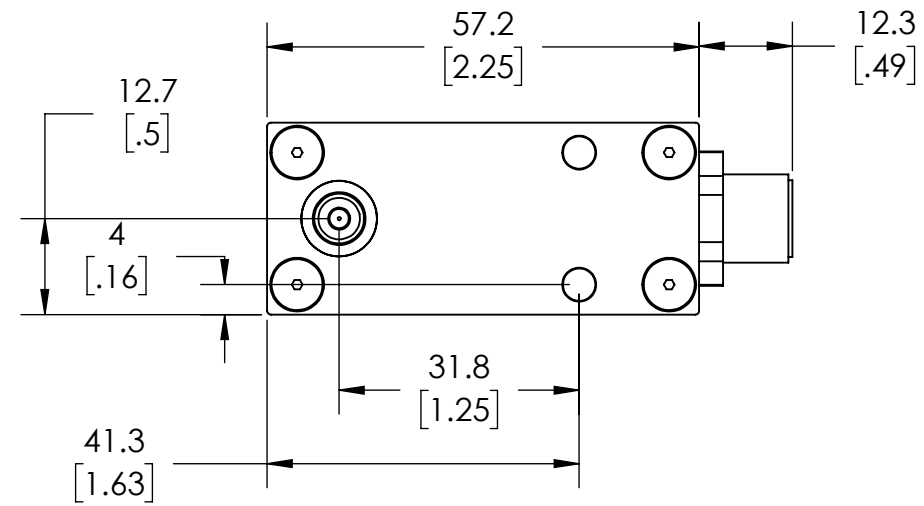


# Drawing Title: Lynx™ Piezoelectric Sensor Adapter LP/LX1-M Install

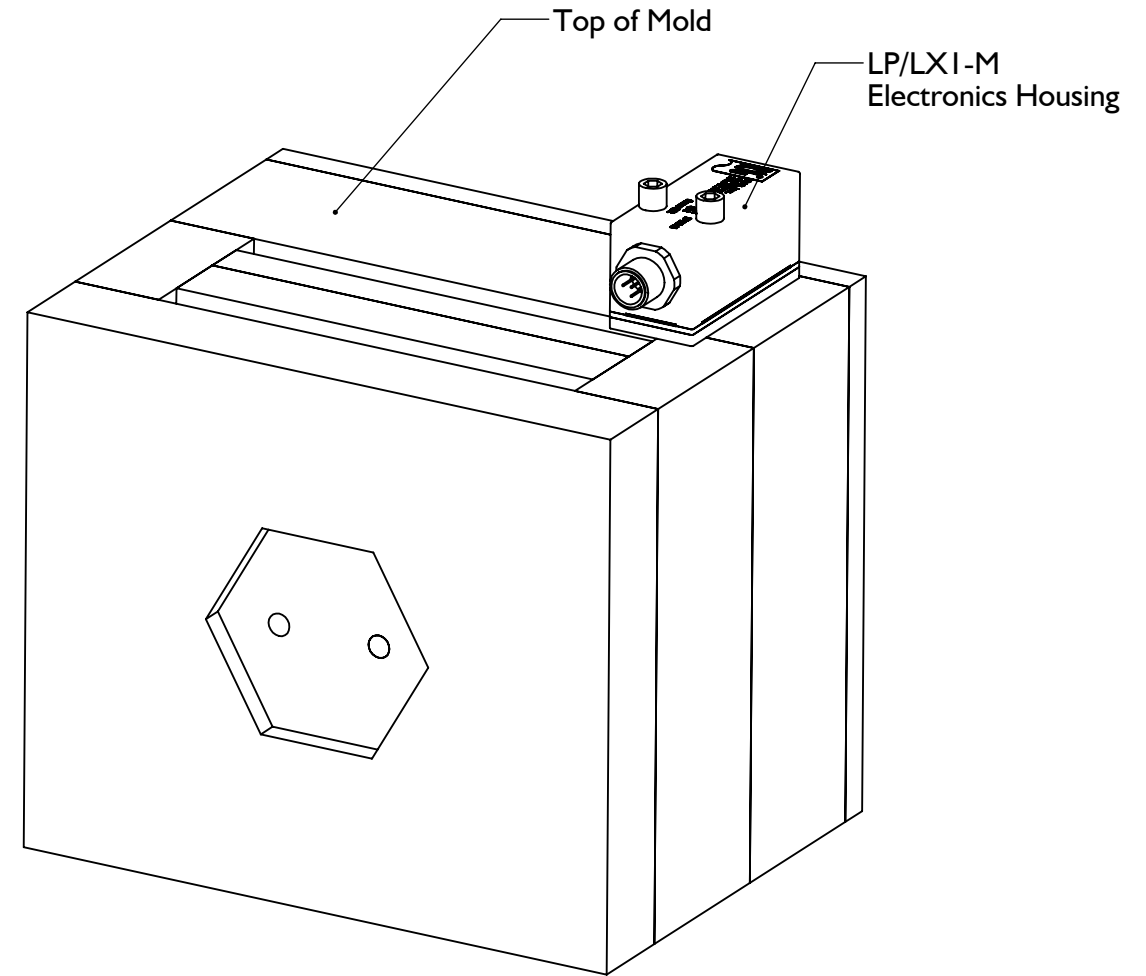
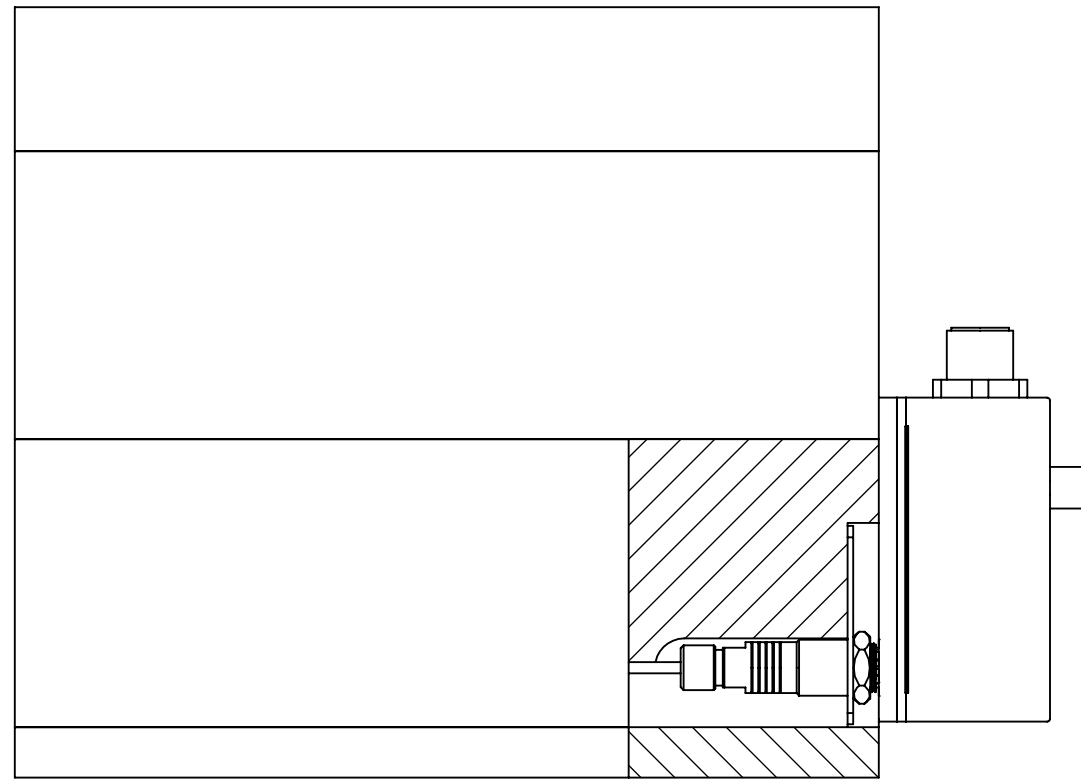


- NOTES:
1. DO NOT SCALE PRINT
  2. BREAK ALL SHARP EDGES, .03 [.005] R MAX
  3. FINISH  $32\sqrt{\text{ }}$  EXCEPT AS NOTED
  4. DIMENSIONS IN MM [INCHES], UNLESS NOTED
  5. TOLERANCES UNLESS SPECIFIED:  
 $XX = \pm .08$  [.003]  
 $X = \pm .3$  [.01]  
 ANGLES =  $\pm 3^\circ$  30°

**RJG, Inc.**  
 3111 Park Drive  
 231-947-3111  
 www.rjginc.com

Description: LP/LX1-M  
 Install  
 Drawn: K.J.Brettschneider  
 Design:  
 Check:  
 Date: 11.12.2018

# Drawing Title: Lynx™ Piezoelectric Sensor Adapter LP/LX1-M Install

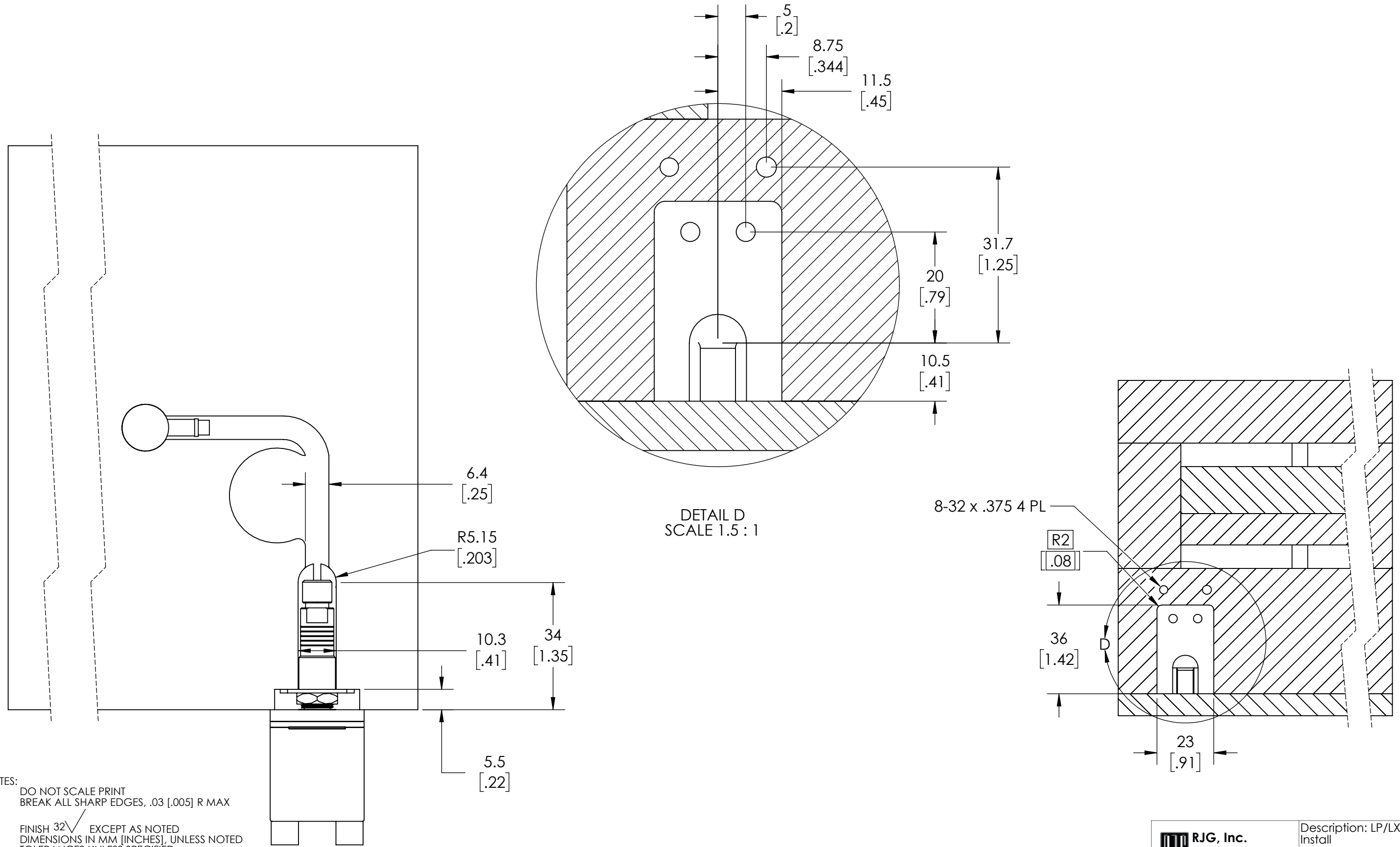


- NOTES:
1. DO NOT SCALE PRINT
  2. BREAK ALL SHARP EDGES, .03 [.005] R MAX
  3. FINISH 32 $\sqrt$  EXCEPT AS NOTED
  4. DIMENSIONS IN MM [INCHES], UNLESS NOTED
  5. TOLERANCES UNLESS SPECIFIED:  
 XX =  $\pm 0.08$  [.003]  
 X =  $\pm 0.3$  [.01]  
 ANGLES =  $\pm 3^\circ$  30°

**RJG, Inc.**  
 3111 Park Drive  
 231-947-3111  
 www.rjginc.com

Description: LP/LX1-M  
 Install  
 Drawn: K.J.Brettschneider  
 Design:  
 Check:  
 Date: 11.12.2018

# Drawing Title: Lynx™ Piezoelectric Sensor Adapter LP/LX1-M Install



- NOTES:
1. DO NOT SCALE PRINT
  2. BREAK ALL SHARP EDGES, .03 [.005] R MAX
  3. FINISH  $32^\circ$  EXCEPT AS NOTED
  4. DIMENSIONS IN MM [INCHES], UNLESS NOTED
  5. TOLERANCES UNLESS SPECIFIED:  
 $XX = \pm .08$  [.003]  
 $X = \pm .3$  [.01]  
 ANGLES =  $\pm 3^\circ$  30°

**RJG, Inc.**  
 3111 Park Drive  
 231-947-3111  
 www.rjginc.com

Description: LP/LX1-M  
 Install  
 Drawn: K.J.Brettschneider  
 Design:  
 Check:  
 Date: 11.12.2018