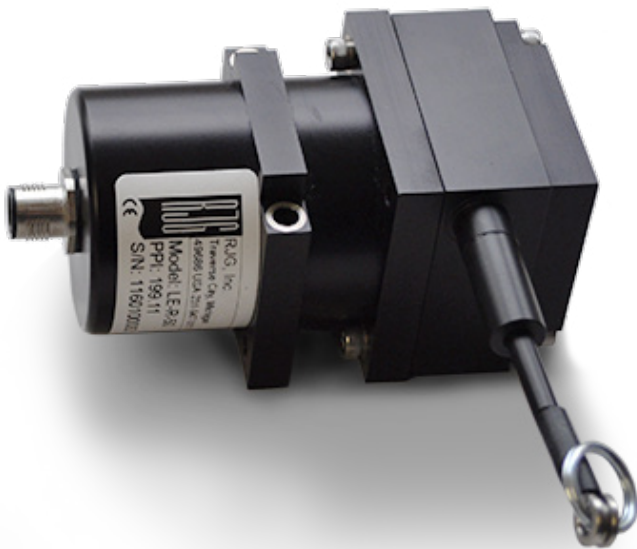


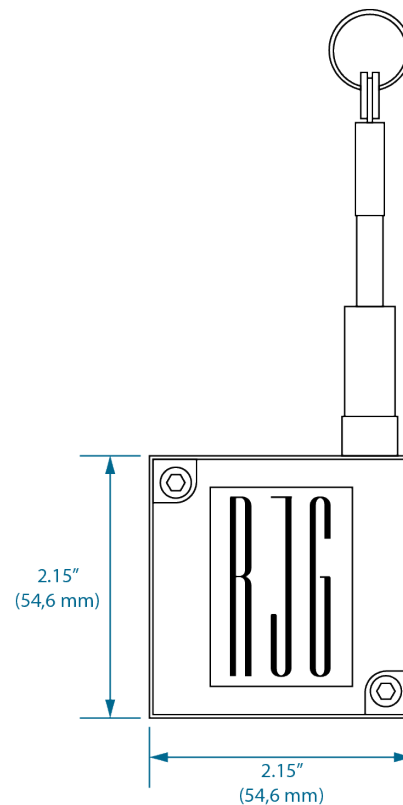


## LYNX™ 50-INCH STROKE/VELOCITY ENCODER

LE-R-50



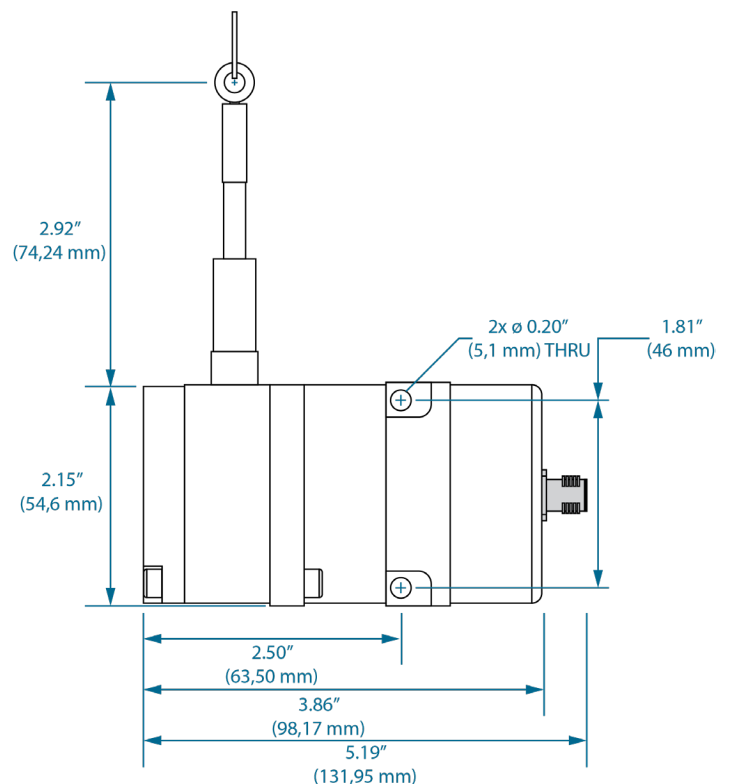
### PRODUCT DIMENSIONS



The LE-R-50 is a molding-machine-mountable linear position/velocity sensor designed for use with the eDART® and CoPilot™ systems. The stroke-velocity encoder can be used to monitor standard screw position and speed on most injection molding machines.

### TECHNICAL SPECIFICATIONS

Required Power (supplied by eDART)	12 V DC
Current Draw	65 mA
Linearity	± 0.04% of Full Scale
Repeatability	± 0.02% of Full Scale



## INSTALLATION

Refer to product manual for all dimensions—available for download online at [www.rjginc.com](http://www.rjginc.com).

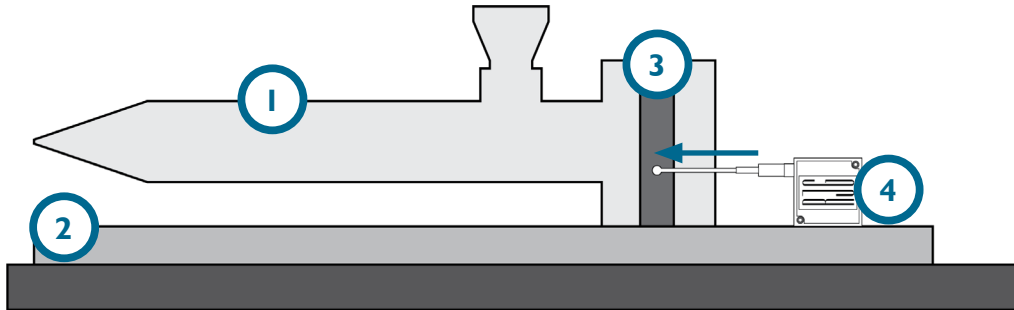
1 Machine Injection Unit

2 Injection Unit Sled

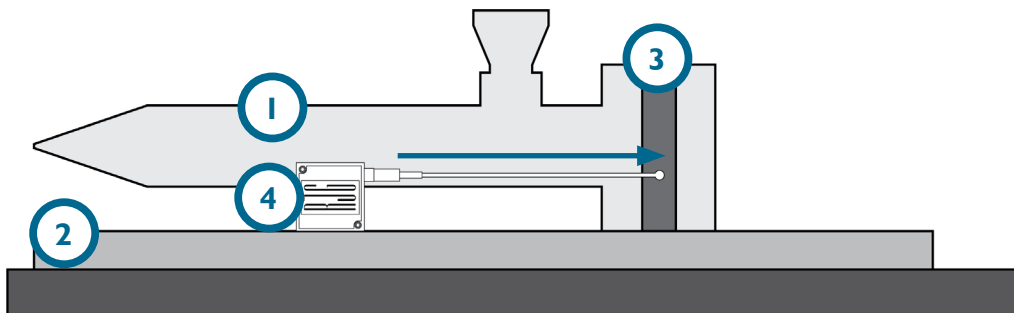
3 Injection Cylinder

4 LE-R-50 Stroke/Velocity Encoder

### Preferred Installation



### Preferred Alternate Installation



### Alternate Installation

