

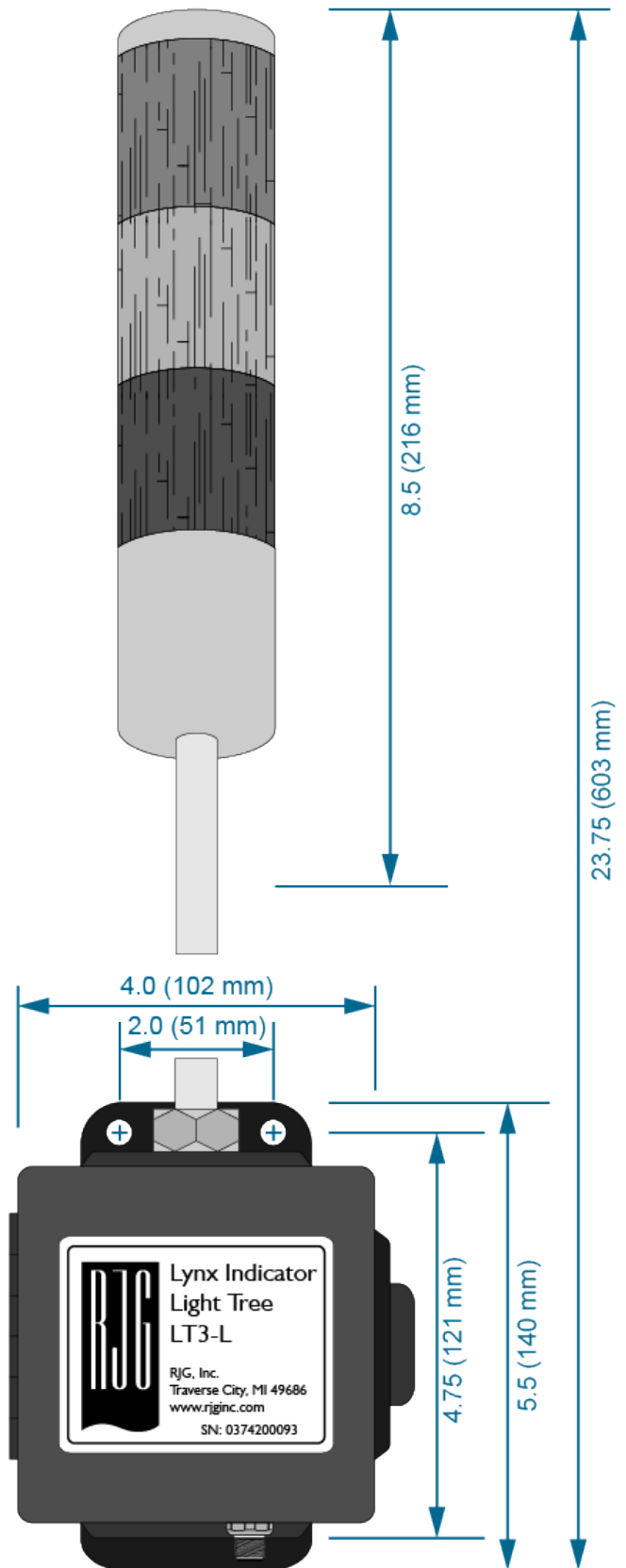


LYNX™ INDICATOR LIGHT TREE

LT3-L



PRODUCT DIMENSIONS



The LT3-L is a molding machine mountable indicator light tree designed to be used with the eDART® system.

TECHNICAL SPECIFICATIONS

The light tree works with the eDART software to visually indicate if your process is running within limits.

Item	Power
Power to Lynx Connector (supplied by eDART)	12 V DC
Current Draw from eDART	85 mA (with light on)

INSTALLATION

The light tree is mounted directly to the side of the molding machine using the box mounting holes.

To power up the light tree, simply plug it in to the Lynx network—no additional power source is needed. The eDART software will automatically detect the light tree. The lights are controlled based on the process limits set in the Alarm Settings or Process Match Meter tools in the software.



CAUTION Always power down before working on any equipment.

- | | |
|---|-------------|
| 1 | Light Tree |
| 2 | Red Light |
| 3 | Amber Light |
| 4 | Green Light |
| 5 | Lynx Port |

